



Way of Life!

GENUINE RIGGING-PARTS AND ACCESSORIES



Suzuki International Europe GmbH
heißt jetzt
Suzuki Deutschland GmbH

WELCOME TO THE 50TH ANNIVERSARY OF SUZUKI OUTBOARDS

We've been at the forefront of outboard technology since we created our first outboard D55 in 1965 and will be celebrating the 50th anniversary in 2015.

The engines used in our outboard motors have always been designed exclusively for marine use and we have continually brought original technologies to the market. We have led the way with innovations such as the down thrust propeller system in 1965, developing the first ever stainless steel water pump housing in 1973, launching oil injection outboards in 1980, inventing ceramic fibre reinforced metal pistons in 1990, introducing the world's first 220.7kW (300PS) V6 four stroke outboard in 2006 and, in another world first, launching a keyless ignition system on the DF200AP.

We have come a long way since 1965 and our current range of four stroke outboards is second to none in the market place. Our engineers are passionate about boating and willing to spend all of their time perfecting our outboard motors so that our products enable you to maximise your time on the water. So, from the light-weight and portable DF2.5 to the award winning power of the DF300AP, we've got an outboard to suit your way of life.



1960s - D55



1970s - DT25



1980s - DT200 EXANTÉ

KEY MOMENTS IN OUR HISTORY:

1965

Our first outboard, the D55, launched..

1980

We first invented oil injection for outboards, and introduced the oil injection series DT85OI, DT115OI and DT140OI.

1987

DT200 Exanté wins the first "Most Innovative Products" award from the National Marine Manufacture's association (NMMA).

1994

Introduction of DF9.9 and DF15, our first four stroke outboards.

1998

Introduction of DF40 and DF50, our first four stroke outboards with DOHC 4 valves for each cylinder. DF40 and DF50 win the "Innovation Award" from the International Marine Trades Exposition and Convention (IMTEC), and it makes Suzuki the first manufacturer to receive this award two years in a row.

1966

Export of Suzuki Outboard Motors begins.

1985

DT150 and DT200, our first V6 models launched.

1990

DT225 added to V6 series and new Electronic Fuel Injection System introduced.

1997

Introduction of DF60 and DF70, our first four stroke outboards with Electronic Fuel Injection System. DF60 and DF70 win the "Innovation Award" from the International Marine Trades Exposition and Convention (IMTEC).



1990s - DF70



2000s - DF300



2010s - DF200AP



2003

DF200/225/250, the first Suzuki four stroke V6 outboards launched. DF250 wins the "IMTEC Innovation Award".

2008

New generation four stroke DF70A/80A/90A debut. DF90A is the lightest, most compact outboard in 66.2kW (90PS) four stroke class and is the first outboard to utilise Suzuki Lean Burn Technology.

2011

New DF300AP is the world's first Selective Rotation outboard. DF300AP wins the "2012 NMMA Award for Innovation".

2015

Launch of new DF200A/AP with world-leading keyless ignition technology

2000

DF90 and DF115 marketed. These models are the first to utilise an offset drive shaft, making them the most compact outboards in their class.

2006

DF300 is the industry's first 220.7kW (300PS) V6 four stroke outboard, and the first outboard to utilise an electronic remote control. DF300 is the winner, the IBEX 2006 Innovation Award from The National Marine Manufacturer's Association (NMMA).

2010

New DF40A/50A win the "2011 NMMA Award for Innovation".

2012

Introduction of new generation DF15A/20A, the world's first outboards to feature battery-less Fuel Injection in the 11.0kW (15PS)/14.7kW (20PS) class. Suzuki was honored to be chosen as the sole supplier of outboard motors to the London 2012 Olympic and Paralympic Games Sailing Regatta.



Dear Customer,

Quality. Dependability. Innovation. Everything that you expect from your outboard motors is delivered with style by SUZUKI.

Demand no less from the products that you choose to enhance your total boating pleasure. Demand GENUINE SUZUKI ACCESSORIES.

This catalogue represents our commitment to provide you with the finest products available. From our classic line of matching instruments and gauges to our custom-engineered propellers and rigging items, you can depend on GENUINE SUZUKI ACCESSORIES for optimum performance.

Take a few minutes to browse through this catalogue, and then be sure to visit your AUTHORIZED SUZUKI DEALER for complete ordering information.

Thank you.

SUZUKI INTERNATIONAL EUROPE GmbH



MODEL NAME AND ENGINE NUMBER

NOTE : Items and their part numbers showing in this catalogue are basically applicable to models of following engine numbers. Please consult your local dealers regarding other models and their rigging-parts and accessories.

model	engine number
DF300AP	30002P-510001~
DF250AP	25003P-510001~
DF250T	25003F-510001~
DF250Z	25003Z-510001~
DF225T	22503F-510001~
DF225Z	22503Z-510001~
DF200AT	20003F-510001~
DF200AZ	20003Z-510001~

model	engine number
DF200AF	20003P-510001~
DF200T	20002F-510001~
DF200Z	20002Z-510001~
DF175T	17502F-510001~
DF175Z	17502Z-510001~
DF150T	15002F-510001~
DF150Z	15002Z-510001~
DF140AT	14003F-510001~

model	engine number
DF140AZ	14003Z-510001~
DF115AT	11503F-510001~
DF115AZ	11503Z-510001~
DF100AT	10003F-510001~
DF90A	09003F-510001~
DF80A	08002F-510001~
DF70A	07003F-510001~
DF60AV	06003F-510001~

model	engine number
DF60A	06002F-510001~
DF50AV	05004F-510001~
DF50A	05003F-510001~
DF40A	04003F-510001~
DF30A	03003F-510001~
DF25A	02504F-510001~
DF20A	02002F-510001~
DF15A	01504F-510001~

model	engine number
DF9.9B	00995F-510001~
DF9.9A	00994F-510001~
DF8A	00801F-510001~
DF6	00602F-510001~
DF5	00502F-510001~
DF4	00402F-510001~
DF2.5	00252F-510001~



TABLE OF CONTENTS

02	WELCOME TO THE 50TH ANNIVERSARY OF SUZUKI OUTBOARDS
06	NEW MULTI FUNCTION GAUGE
07	NEW SUZUKI KEYLESS START SYSTEM
08	SUZUKI MODULAR INSTRUMENT SYSTEM
10	COMPONENT OF SUZUKI MODULAR INSTRUMENT SYSTEM
12	CONNECTION FOR SUZUKI MODULAR INSTRUMENT SYSTEM
14	ANALOG INSTRUMENT
16	ELECTRONIC THROTTLE AND SHIFT SYSTEM
18	COMPONENT OF SUZUKI PRECISION CONTROL
20	MECHANICAL REMOTE CONTROL SYSTEM
22	COMPONENT OF MECHANICAL REMOTE CONTROL SYSTEM
24	STEERING
28	ELECTRICAL PARTS
29	ANODE / FUEL SYSTEM
32	PROPELLER
36	CARE & MAINTENANCE ITEM
38	APPLICATION CHART

REFERENCE

Part Number	15-digit alpha-numerical number shows Part Number to be used for ordering.
Gauge Size	Shows the size (2" or 4") of the gauge.
Background	Shows a main color of display panel on the front of a gauge.
Applicable Model	Shows typical or recommended models of ENGINES that RIGGING-PARTS and ACCESSORIES can be installed to.
Maximum Speed	Shows maximum speed that SPEEDOMETER displays.
kph	Kilometers Per Hour
mph	Miles Per Hour
knots	Knots

NEW MULTI FUNCTION GAUGE

MAIN FEATURES

HIGH PERFORMANCE

- Multi-function gauge displays a wide variety of information such as engine rpm, speed, trim angle, as well as diagnostics based on digital data received from the outboard motor.
- Gauges offer great reliability utilizing Suzuki's original warning system to provide the operator with accurate warning information.
- NMEA2000®* terminal offers compatibility with a wide range of marine equipment by other manufacturers (pending).

SUPERIOR VISIBILITY

- First color LCD offered as genuine parts by an outboard manufacturer. Suzuki's next generation standard equipment gauge offers easy to use multi-function operation with superior readability.
- Easy to see, easy to read, easy to understand display offers a variety of modes including day and night modes and digital or analog readouts.

COMPACT

- Compact, highly versatile gauge requires an 85mm hole for mounting making them the perfect replacement for 4-inch** analog gauges.

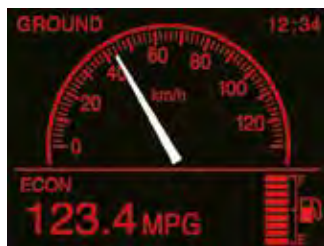
* NMEA2000® is an NMEA (National Marine Electronics Association) standard communication protocol used for exchanging data between marine control units.

** 4-inch gauges that require 85mm mounting holes (as researched by Suzuki)

DISPLAY VARIATIONS



Analog All



Analog Speed (Night)



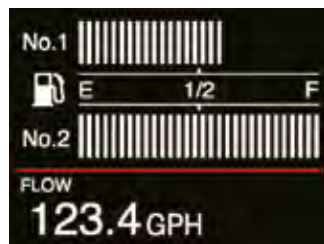
Analog Tacho



Digital All



Digital Tacho (Night)



Fuel

DESIGN



Analog/Day mode



Digital/Night mode



INFORMATION

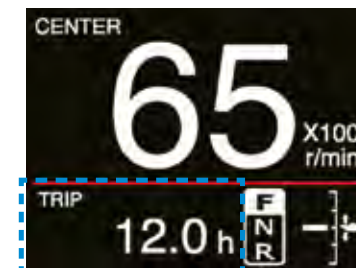
Analog Tacho & Speed Mode

Engine position Engine rpm Ground or Water



Fuel Trim Shift Time Warning Indicator

Tacho Mode



- Fuel flow [l/h, gph] (instantaneous)
- Mileage [km/l, mpg] (instantaneous and average)
- Trip time [h], Trip distance [km, M, NM]
- Engine hour, Voltage, Water temp and more...

SPECIFICATIONS

- 3.5" Color display
- Size: 105mm(W)×105mm(H)×16mm(D)
- Diagnostic display
- Easy installation and setup
Φ85mm hole & large resin nut
- Includes protective cover
- NMEA2000 output (pending)
- Applicable models:
DF9.9B-DF300AP

Speed sensor or GPS module will be required in order to display the speed.

The NEW MULTI FUNCTION GAUGE is planned to be launched from the next spring.

- Design and specifications may change without notice due to improvements in performance and function.

NEW SUZUKI KEYLESS START SYSTEM



EASY OPERATION

- Suzuki original engine starting system offers a variety of functions. The key-fob is easy to carry and one is all you need to enjoy stress-free starts for greater boating pleasure.
- One step ahead of the competition, the Suzuki Keyless Start System requires no mechanical key so the key-fob remains safely in your pocket.

WATERPROOF FLOAT KEY-FOB

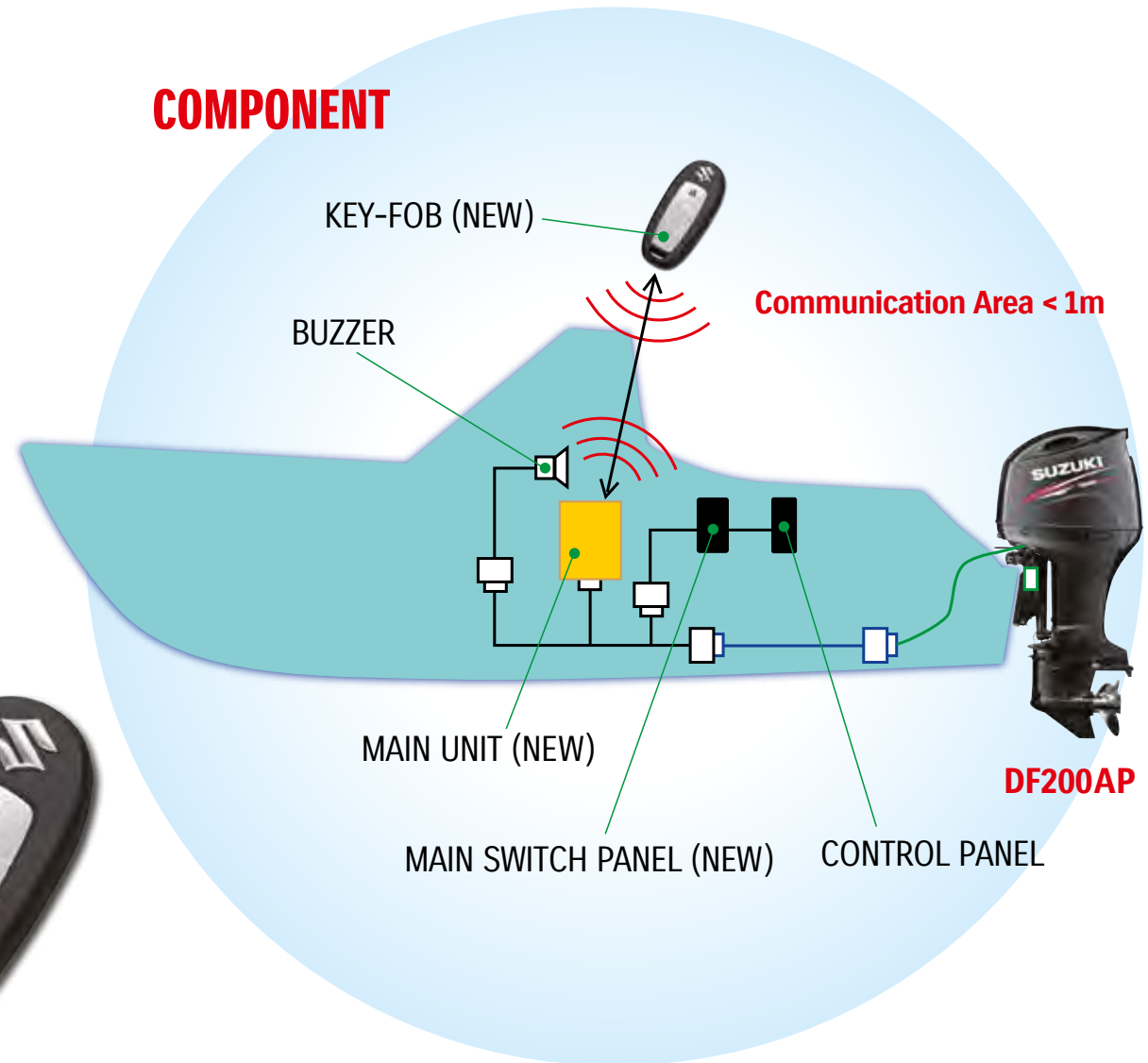
- The easy to carry key-fob remains safely in your pocket reducing risk of a lost key. The key-fob is waterproof and floats so should it ever go overboard it is retrievable.

HIGH SECURITY

- Suzuki's system features an immobilizer function for added peace of mind. IC access codes installed in the key-fob and engine must match for the engine to start. This prevents starting the engine with the wrong key making the system a good theft deterrent as well.



COMPONENT



Availability may differ in some regions. Please contact your local Suzuki dealer for more information.

The NEW SUZUKI KEYLESS START SYSTEM is planned to be launched from the next spring with DF200AP. Planning to apply to other models one after another.

• Design and specifications may change without notice due to improvements in performance and function.

SUZUKI MODULAR INSTRUMENT SYSTEM

SUZUKI MODULAR INSTRUMENT SYSTEM (S.M.I.S.) uses an easy to connect and expandable cable system to transmit graphic and numerical data to Multi-Function gauges. Easy to set up and install system can be used with nearly any boat and DF300 SUZUKI Outboard. Connected to the NMEA2000® compatible system, the gauges can display real-time readings from compatible electronic probes and the exclusive SMIS engine interface to monitor all engine functions. (Engine Monitor with 4" gauge only)

APPLICABLE MODELS : DF9.9B-DF300AP

SMIS MULTI-FUNCTION GAUGE

The 4" multi-function gauge uses a state-of-the-art high-contrast, dot matrix display to monitor real-time graphic and numerical digital data. When connected into the SMIS system, it can monitor all engine functions, act as a speedometer, tachometer, GPS* and many others. (*GPS requires additional hardware.) The 2" multi-function gauge is capable of all functions of the 4" gauge except diagnostic information. When connected to the SMIS system, it can be programmed to monitor all other functions.

4" SMIS MULTI-FUNCTION GAUGE



Quad analog page as a tachometer, a volt meter, a water-pressure gauge and a speedometer for single engine



990C0-88161-000 001

with a gray bezel + a T-connector (990C0-88110-000) + Operation & Installation Manual

Examples of display**



Engine trim page as a trim gauge for single engine



Single analog page as a speedometer



Dual digital page as a hour meter and a speedometer for single engine



Single analog page as a tachometer for single engine



Fuel manager page as a fuel gauge



Diagnostics page

2" SMIS MULTI-FUNCTION GAUGE



Fuel manager page



990C0-88150-000 002

with a gray bezel + a T-connector (990C0-88110-000) + Operation & Installation Manual

Examples of display**



as a volt meter for single engine



Engine trim page as a trim gauge for single engine



Fuel manager page

** The detail instructions of display-operation are explained in the Operation & Installation Manual.

GAUGE KIT

4" GAUGE KIT



990C0-88163-KIT 003

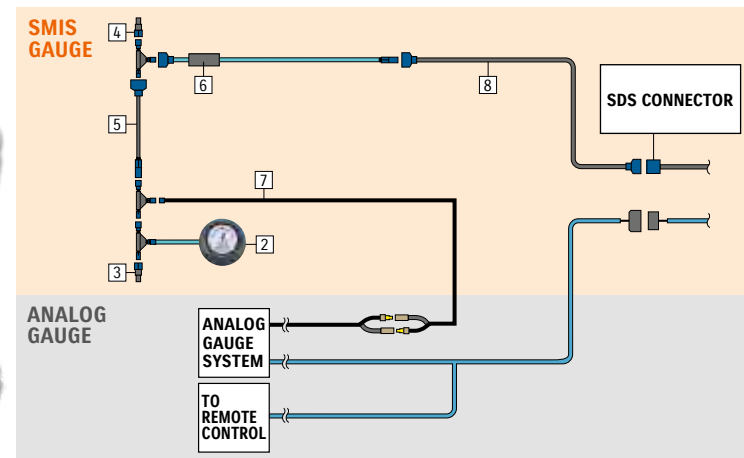
This kit contains basic components to install digital gauge.

2" GAUGE KIT



990C0-88153-KIT 004 34011-89L00-000

This kit supplements analog gauges to display additional information, and it can display information which analog gauge system cannot indicate such as fuel consumption. 34011-89L00-000 is for DF9.9B/15A/20A/25A/30A and includes 36660-89L01-000 instead of 990C0-88136-000.



Available for your convenience. Refer to the following chart for the contents.

Contents		quantity				
part name	part number	4" Gauge Kit 990C0-88163-KIT 003		2" Gauge Kit 990C0-88153-KIT 004		
			***	990C0-88153-KIT 004	***	
1	4" SMIS Multi-Function Gauge	990C0-88161-000 001	1	1	-	-
2	2" SMIS Multi-Function Gauge	990C0-88150-000 002	-	-	1	1
3	Terminator Female	990C0-88113-000 011	1	-	1	-
4	Terminator Male	990C0-88114-000 012	1	-	1	-
5	Extension Cable 25 feet	990C0-88108-000	-	-	1	-
6	Engine Interface Unit	990C0-88148-000 005	1	1	1	1
7	SMIS Power Cable	990C0-88112-000 008	1	1	1	1
8	SMIS Adapter	990C0-88136-000 006 OR 36660-89L01-000	-	-	1	-
9	Operation & Installation Manual for 4" Gauge		1	-	-	-
10	Operation & Installation Manual for 2" Gauge		-	-	1	-

***Quantity of T-connector(s) in a kit

OPTIONAL INSTRUMENT TRIM

Change the standard gray bezel to suit your application. Two different bezel finishes are available for 2" or 4" Multi-Function gauges.



The image shows 4" bezel, "chrome", 990C0-88021-6PK.



4" bezel, chrome
990C0-88021-6PK

	Chrome	White
4" bezel	990C0-88021-6PK	990C0-88023-6PK
2" bezel	990C0-88025-6PK	990C0-88027-6PK

COMPONENT OF SUZUKI MODULAR INSTRUMENT SYSTEM

ENGINE INTERFACE The most important part of the SMIS data system. DF150TG/ZG/175TG/ZG/200AP/250AP/300AP connect to the system, using Engine Interface Adapter.

ENGINE INTERFACE UNIT WITH A T-CONNECTOR



990C0-88148-000 005

SMIS ADAPTER



990C0-88136-000 006
for DF40A-250 with analog gauge system to add on digital gauges.1.8m

ENGINE INTERFACE ADAPTER



36661-98J20-000 007
for dual DF150TG/ZG/175TG/ZG/200AP 250AP/300AP

36661-98J10-000 007
for single DF150TG/ZG/175TG/ZG/200AP 250AP/300AP

36661-98J30-000 007
for triple DF150TG/ZG/175TG/ZG/200AP 250AP/300AP

POWER CABLE The fused (3A) lead connects the extension cable to the power source.

SMIS POWER CABLE WITH A T-CONNECTOR



990C0-88112-000 008

POWER NODE WITH A T-CONNECTOR



990C0-88130-000 009
Allows network to be powered from multiple power sources (key switch, accessory switch, etc...) For multiple (2 or 3) engines of DF9.9B-250

CONNECTION HARDWARE

T-CONNECTOR



990C0-88110-000 010
T-connectors link all compatible cables, data and sensor devices and can be easily secured.

TERMINATOR FEMALE



990C0-88113-000 011
120-ohm terminators are required for any open cable ends in the system.

TERMINATOR MALE



990C0-88114-000 012
120-ohm terminators are required for any open cable ends in the system.

ADAPTER HARNESS TO N NETWORK



990C0-88029-000 013
(Black network to Blue devices)
Allows connection to other NMEA devices (Device NET).

ADAPTER HARNESS TO L NETWORK



990C0-88137-000 014
(Blue network to Black devices)

SENSORS

FLUID LEVEL SENSOR WITH A T-CONNECTOR



990C0-88116-000 015

Monitors the fluid levels such as fuel, live well water level, etc. 10ft cable.

SPEED SENSOR WITH A T-CONNECTOR



990C0-88117-000 016

Paddle wheel-type speed sensor. 10ft cable.

WATER PRESSURE SENSOR WITH A T-CONNECTOR



990C0-88139-000 017

WATER TEMPERATURE SENSOR WITH A T-CONNECTOR



990C0-88118-000 018

Surface-water temperature sensor. 10ft cable.

990C0-88119-000

(Thru-Hull type)

GPS RECEIVER MODULE WITH A T-CONNECTOR



990C0-88120-000 019

Displays the accurate location and speed on multi-function gauges.

CONNECTION CABLE

The extension cable is the main line of SMIS. Data communication runs the length of the boat, capped at each end with a 120-ohm terminator. NMEA2000® compatible sensors or other devices can be added by the use of T-connectors throughout the system.

EXTENSION CABLE

990C0-88104-000

2 feet

36662-88L30-000

15 feet

990C0-88105-000 020

6 feet

990C0-88108-000

25 feet



CONNECTION FOR SUZUKI MODULAR INSTRUMENT SYSTEM

Example of Connection for DF150TG/ZG/175TG/ZG/200AP/250AP/300AP with S.M.I.S. Gauge

(in case of equipping the same quantities of 4" and 2" gauges as engines and stations and all optional items)

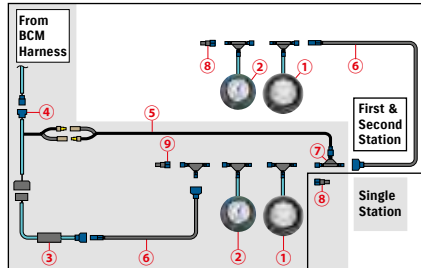
NOTE: (*1): The required or recommended quantities are shown. Numbers in round-parentheses show the required ones if equipped.

(*2): While some of SMIS items have a T-connector in the package, the total number of the T-connectors enclosed in them may be short to the required quantity.

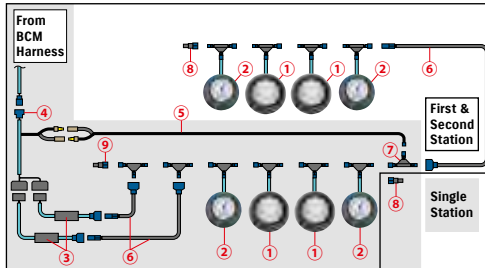
(*3): SMIS adapter is required only for DF9.9B/15A/20A and DF25A/30A.

category	Ref. #	part name	Number of T-connector Included	Contents of Gauge Kit		engine(s)												part number
				4"	2"	station(s)						station(s)						
						1		2		3		1		2		3		
						1	1	1	2	1st	2nd	2	1st	2nd	2	1st	2nd	
						required quantity per boat (*1)												
SMIS multi-function gauge	①	4" SMIS Multi-Function Gauge with a gray bezel	1	1		1	2	3	2	1	1	4	2	2	6	3	3	990C0-88161-000
		4" Gauge Kit	3															990C0-88163-KIT
engine interface	②	2" SMIS Multi-Function Gauge with a gray bezel	1		1	1	2	3	2	1	1	4	2	2	6	3	3	990C0-88150-000
		③	Engine Interface unit	1	1	1	1	2	3	1	1	2	2	3	3			990C0-88148-000
		④	Engine Interface Adapter for single	0														36661-98J10-000
		Engine Interface Adapter for dual	0								1	1					36661-98J20-000	
		Engine Interface Adapter for triple	0												1	1		36661-98J30-000
power cable	⑤	Power Cable	1	1	1	1	1	1	1	1	1	1	1	1	1	1		990C0-88112-000
connection cable	⑥	Extension Cable 2 feet	0															990C0-88104-000
		Extension Cable 6 feet	0														990C0-88105-000	
		Extension Cable 15 feet	0														36662-88L30-000	
		Extension Cable 25 feet	0	0	1													990C0-88108-000
connection hardware	⑦	T-Connector (*2)	1	3	3	4 (*2)	7 (*2)	10 (*2)	6 (*2)	4	2	11 (*2)	7	4	16 (*2)	10	6	990C0-88110-000
	⑧	Terminator Female	0	1	1	1	1	1	1	1	1	1	1	1	1	1	1	990C0-88113-000
	⑨	Terminator Male	0	1	1	1	1	1	1	1	1	1	1	1	1	1	1	990C0-88114-000
		Adapter Harness to N network (Black network to Blue devices)	0															990C0-88029-000
		Adapter Harness to L network (Blue network to Black devices)	0															990C0-88137-000
sensor		Fluid Level Sensor	1			(1)	(1)	(1)	(1)			(1)			(1)			990C0-88116-000
		Speed Sensor	1			(1)	(1)	(1)	(1)			(1)			(1)			990C0-88117-000
		Water Temperature Sensor	1			(1)	(1)	(1)	(1)			(1)			(1)			990C0-88118-000
		Water Temperature Sensor (Thru-Hull type)	1			(1)	(1)	(1)	(1)			(1)			(1)			990C0-88119-000
		Water Pressure Sensor	1			(1)	(1)	(1)	(1)			(1)			(1)			990C0-88139-000
	GPS Receiver Module	1			(1)	(1)	(1)	(1)			(1)			(1)			990C0-88120-000	
optional trim		4" bezel, chrome	0															990C0-88021-6PK
		4" bezel, white	0															990C0-88023-6PK
		2" bezel, chrome	0															990C0-88025-6PK
		2" bezel, white	0															990C0-88027-6PK

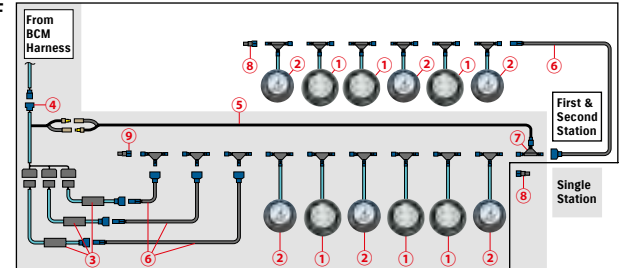
SINGLE ENGINE
DF150TG/ZG/
175TG/ZG/
200AP/250AP/
300AP



DUAL ENGINE OF
DF150TG/ZG/
175TG/ZG/
200AP/250AP/
300AP



TRIPLE ENGINE OF
DF150TG/ZG/
175TG/ZG/
200AP/250AP/
300AP

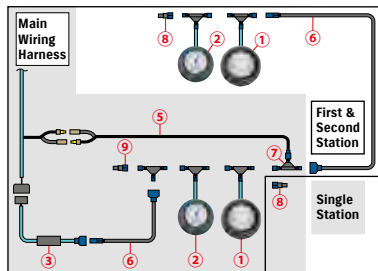
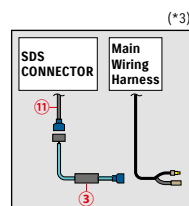


Example of Connection for DF9.9B-250 with S.M.I.S. Gauge

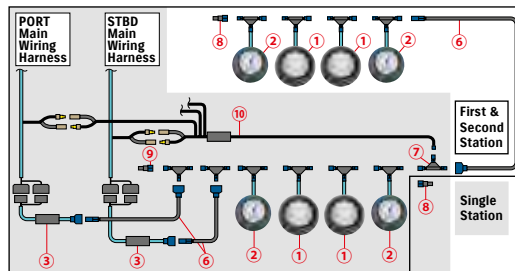
(in case of equipping the same quantities of 4" and 2" gauges as engines' and stations' and all optional items)

category	Ref. #	part name	Number of T-connector Included	Contents of Gauge Kit		engine(s)										part number		
				4"	2"	1			2			3						
						station(s)												
						1	1	1	2 total	1st	2nd	2 total	1st	2nd	2 total		1st	2nd
						required quantity per boat (*1)												
SMIS multi-function gauge	①	4" SMIS Multi-Function Gauge with a gray bezel	1	1		1	2	3	2	1	1	4	2	2	6	3	3	990C0-88161-000
		4" Gauge Kit	3	KIT														990C0-88163-KIT
	②	2" SMIS Multi-Function Gauge with a gray bezel	1		1	1	2	3	2	1	1	4	2	2	6	3	3	990C0-88150-000
engine interface	③	Engine Interface unit	1	1	1	1	2	3	1	1		2	2		3	3	990C0-88148-000	
power cable	⑤	Power Cable	1	1	1	1	1	1	1	1		1	1		1	1	990C0-88112-000	
		Power Node for multiple engine of DF40-250 only	1										1	1		1	1	990C0-88130-000
connection cable	⑥	Extension Cable 2 feet	0															990C0-88104-000
		Extension Cable 6 feet	0															990C0-88105-000
		Extension Cable 15 feet	0															36662-88L30-000
		Extension Cable 25 feet	0	0	1													990C0-88108-000
connection hardware	⑦	T-Connector (*2)	1	3	3	4 (*2)	7 (*2)	10 (*2)	6 (*2)	4	2	11 (*2)	7	4	16 (*2)	10	6	990C0-88110-000
		Terminator Female	0	1	1	1	1	1	1	1	1	1	1	1	1	1	1	990C0-88113-000
		Terminator Male	0	1	1	1	1	1	1	1	1	1	1	1	1	1	1	990C0-88114-000
		Adapter Harness to N network (Black network to Blue devices)	0															990C0-88029-000
		Adapter Harness to L network (Blue network to Black devices)	0															990C0-88137-000
sensor		Fluid Level Sensor	1			(1)	(1)	(1)	(1)			(1)			(1)			990C0-88116-000
		Speed Sensor	1			(1)	(1)	(1)	(1)			(1)			(1)			990C0-88117-000
		Water Temperature Sensor	1			(1)	(1)	(1)	(1)			(1)			(1)			990C0-88118-000
		Water Temperature Sensor (Thru-Hull type)	1			(1)	(1)	(1)	(1)			(1)			(1)			990C0-88119-000
		Water Pressure Sensor	1			(1)	(1)	(1)	(1)			(1)			(1)			990C0-88139-000
		GPS Receiver Module	1			(1)	(1)	(1)	(1)			(1)			(1)			990C0-88120-000
optional trim		4" bezel, chrome	0															990C0-88021-6PK
		4" bezel, white	0															990C0-88023-6PK
		2" bezel, chrome	0															990C0-88025-6PK
		2" bezel, white	0															990C0-88027-6PK
adapter cable	⑪	SMIS adapter (*3)	0			1	2	3	1	1	2	2		3	3		36660-89L01-000	

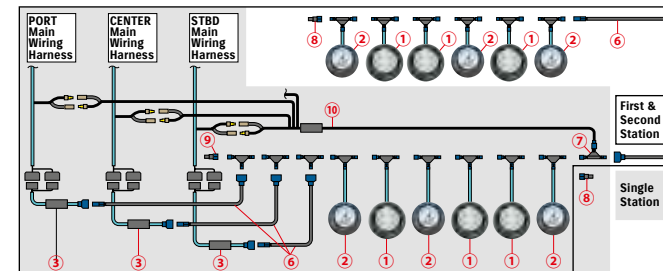
SINGLE ENGINE OF DF9.9B-250



DUAL ENGINE OF DF9.9B-250



TRIPLE ENGINE OF DF9.9B-250



Legend: : Single Station : First & Second Station

ANALOG INSTRUMENT

Caution lamp	Caution type
CHECK ENGINE	Low battery-voltage or Other cautions on S.D.S
TEMP	Overheat (Over-revolution)

Caution lamp	Caution type
OIL	Low oil-pressure (Over-revolution)
REV LIMIT	Oil change reminder
	Over-revolution

TACHOMETER



White



Black

34200-93J12-000 (White) 021 **34200-93J00-000** (Black) 022

Gauge Size 4"

Applicable Model DF25A-250

Caution systems alert with a monitor lamp lighting on when an abnormal engine condition occurs. Refer to SERVICE MANUAL for the detail.



White



Black

34200-93J51-000 (White) 023 **34200-93J40-000** (Black) 024

Gauge Size 4"

Applicable Model DF40A-140/200A

Exclusive for SUZUKI Troll Mode System. Automatically switches to low RPM scale when the SUZUKI Troll Mode System is activated.



White



Black

34200-93J32-000 (White) 025 **34200-93J20-000** (Black) 026

Gauge Size 4"

Applicable Model DF8-30A, DT30/40W

Full-scale 7000-RPM TACHOMETER can be used on electric-start models by using 4, 6 or 12 pole switch on rear of meter.

TRIM GAUGE



White



Black

34800-93J11-000 (White) 027

34800-93J00-000 (Black) 028

Gauge Size 2"

Applicable Model DF25A-250

Magnetic-type gauge shows trim angle for optimum performance and efficiency.

FUEL GAUGE



White



Black

34300-93J11-000 (White) 029

34300-93J00-000 (Black) 030

Gauge Size 2"

Applicable Model DF8A-250, DT30/40

FUEL GAUGE alone works with the US Standard 250Q sending unit. Use the 150Q adaptor to connect the gauge to a European standard sending unit.

HOUR METER



White



Black

34500-93J11-000 (White) 031

34500-93J00-000 (Black) 032

Gauge Size 2"

Applicable Model DF8A-250, DT30/40

12-volt-electric-motor-driven meter indicates hours that your outboard motor has been operated in order for you to know when each periodic service is required.

VOLTMETER



White



Black

34600-93J11-000 (White) 033

34600-93J00-000 (Black) 034

Gauge Size 2"

Applicable Model DF8A-250, DT30/40

To help your SUZUKI OUTBOARD MOTOR run at its best, monitor the charging system functioning with a VOLTMETER.

WATER-PRESSURE GAUGE



White



Black

34650-93J31-000 (White) 035

34650-93J20-000 (Black) 036

Gauge Size 2"

Applicable Model DF40A-250

Bourdon-tube type gauge measures cooling-water pressure. Select an appropriate INSTALLATION KIT for each model.

SPEEDOMETER



White

Black

34100-93J11-000 037

34100-93J00-000 038

Gauge Size 4"

Maximum Speed 130km/h, 80mph

Bourdon-tube type speedometer with readings in km/h and mph. Includes vinyl tube, hardware and installation manual.



White

Black

34100-93J31-000 039

34100-93J20-000 040

Gauge Size 4"

Maximum Speed 80km/h, 50mph

Bourdon-tube type speedometer with readings in km/h and mph. Includes vinyl tube, hardware and installation manual.



White

Black

34100-93J51-000 041

34100-93J40-000 042

Gauge Size 4"

Maximum Speed 80km/h, 45knots

Bourdon-tube type speedometer with readings in km/h and knots. Includes vinyl tube, hardware and installation manual.



34100-93J60-000 043

Gauge Size 4"

Background White

Maximum Speed 120km/h, 65knots

Bourdon-tube type speedometer with readings in km/h and knots. Includes vinyl tube, hardware and installation manual.

SPEEDOMETER SENDER ASSY



34190-95500-000 044

Applicable Model DF9.9BT-20AT/25R/40AT-300AP, DT30R/40WR



34190-87D00-000 045

Applicable Model DF9.9BT-20AT/25R/40AT-140AT/Z/150T/Z/175T/Z/200T/Z-250T/Z, DT30R/40WR

INSTALLATION KIT for WATER-PRESSURE GAUGE



34660-90J02-000

Applicable Model DF40A-140A

34660-93J00-000 046

Applicable Model DF200-250

KIT includes fittings and hoses needed for motor to gauge connection.

34660-96J00-000

Applicable Model DF150-175/200A

ELECTRONIC THROTTLE AND SHIFT SYSTEM

- Computerized Drive by Wire system of the Suzuki Precision Control (S.P.C.) eliminates wiring friction losses and allows smooth and superior handling. As a result, SPC makes smooth and linear control from start and at low speed.
- By the control panel operation (included remote-control kits), you can start and stop the engine and change a steering station with multiple engines you can control the synchronization of an engine rev and change the tilt angles.
- Not only DF300AP/250AP/200AP, but also DF150TG/ZG, DF175TG/ZG are suitable for this system.
- Chrome plating finish for better rust resistance.
- applicable to maximum 2 station and maximum 4 engines.
- 8 kinds of rigging parts kits are available for your convenience to select all necessary parts for your requirements.



67200-98J03-000
BINNACLE MOUNT R/C BOX
for SINGLE ENGINE **047**



67200-98J22-000
FLUSH MOUNT R/C BOX
for SINGLE ENGINE **048**



67200-98J13-000
BINNACLE MOUNT R/C BOX
for DUAL ENGINE **049**

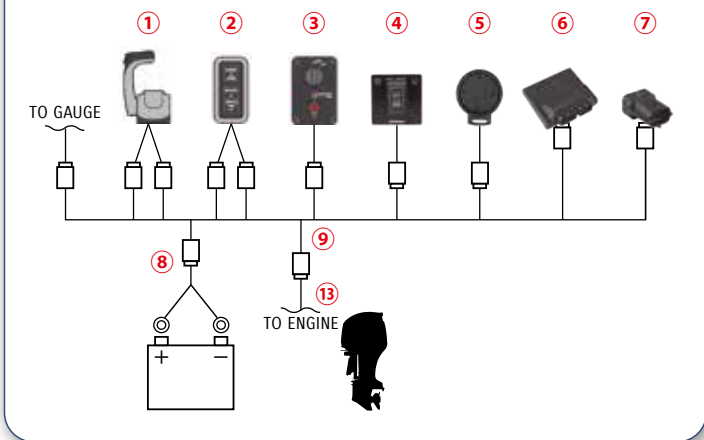
	REMOTE-CONTROL KIT for SINGLE ENGINE			KIT			Total Required Quantity	
				1st Station	2nd Station			
				67000-98J09-000 BINNACLE-MOUNT CONTROL KIT	67000-98J68-000 FLUSH-MOUNT CONTROL KIT	67000-98J19-000 2ND-STATION CONTROL KIT	SINGLE STATION	DUAL STATION
PART NUMBER	PART NAME	LENGTH						
①	67200-98J03-000 047	BINNACLE MOUNT R/C BOX		1	—	1	1	2
	67200-98J22-000 048	FLUSH MOUNT R/C BOX		—	1	—		
②	37100-98J11-000 051	CONTROL PANEL		1	1	1	1	2
③	37100-98J04-000 050	MAIN SWITCH PANEL		1	1	—	1	1
④	37860-87L00-000 080	TROLL MODE SWITCH PANEL		1	1	1	1	2
⑤	38500-93J90-000 082	WARNING BUZZER		1	1	1	1	2
	09407-08401-000	WARNING-BUZZER CLAMP		1	1	1	1	2
	36770-98J10-000 054	BOAT CONTROL MODULE		1	1	1	1	2
	36775-98J00-000 055	BCM HOLDER (L)		1	1	1	1	2
⑥	36776-98J00-000 056	BCM HOLDER (R)		1	1	1	1	2
	33911-88BLO-000 057	BCM-CONNECT CAP		1	1	1	1	2
	33925-93J00-000 058	BCM CUSHION		1	1	1	1	2
⑦	33926-98J00-000 064	TERMINAL RESISTOR		2	2	—	2	2
⑧	36625-98J10-000 063	BATTERY-LEAD		1	1	—	1	1
⑨	36623-98J20-000 065	BCM #1 WIRING HARNESS		1	1	—	1	1
⑩	36622-98J00-000 062	DUAL-STATION WIRING HARNESS		—	—	1	—	1
⑪	36624-98J02-000 066	BCM #2 WIRING HARNESS		—	—	1	—	1
⑫	37803-93J04-000 076	EMERGENCY SWITCH PANEL		—	—	1	—	1
—	09403-13402-000	HARNES CLAMP		10	10	10	—	—
* ⑬	36620-98J30-000 059	MAIN WIRING HARNESS	6.5m				1	2
	36620-98J40-000		9.5m					
	36620-98J50-000 060	MAIN WIRING HARNESS EXTENSION	2.0m				—	—

*⑬ is not included these kits. Please purchase these items separately

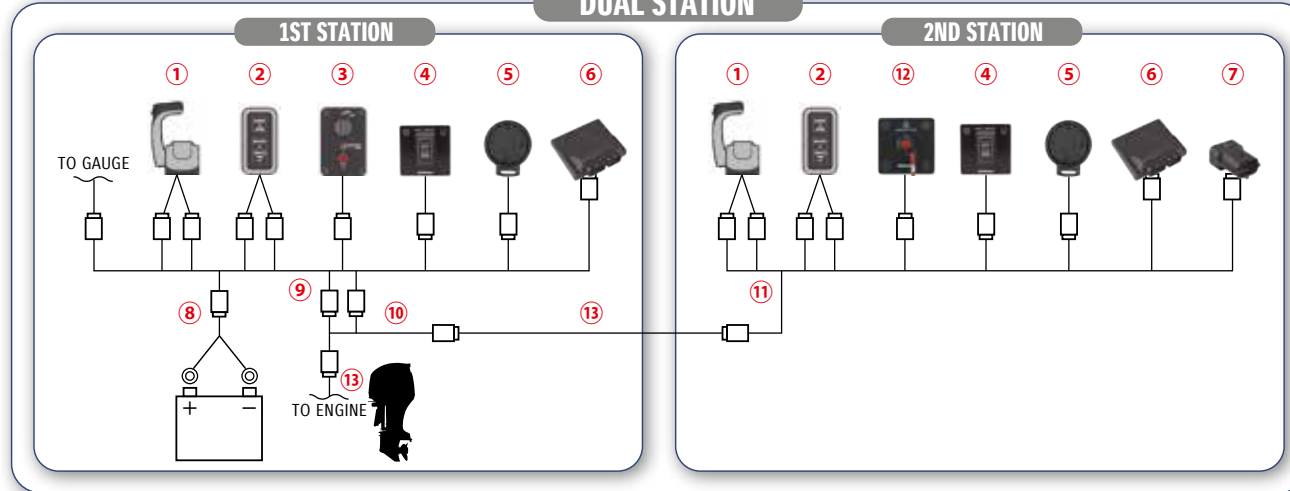
	REMOTE-CONTROL KIT for DUAL ENGINE			KIT		Total Required Quantity		
				1st Station	2nd Station			
				67000-98J29-000 BINNACLE-MOUNT CONTROL KIT	67000-98J39-000 2ND-STATION CONTROL KIT	SINGLE STATION	DUAL STATION	
PART NUMBER	PART NAME	LENGTH						
①	67200-98J13-000 049	BINNACLE MOUNT R/C BOX		1	1	1	2	
②	37100-98J21-000 052	CONTROL PANEL		1	1	1	2	
③	37100-98J04-000 050	MAIN SWITCH PANEL		1	1	1	1	
④	37860-87L00-000 080	TROLL MODE SWITCH PANEL		1	1	1	2	
⑤	38500-93J90-000 082	WARNING BUZZER		1	1	1	2	
	09407-08401-000	WARNING-BUZZER CLAMP		1	1	1	2	
	36770-98J10-000 054	BOAT CONTROL MODULE		1	1	1	2	
	36775-98J00-000 055	BCM HOLDER (L)		1	1	1	2	
⑥	36776-98J00-000 056	BCM HOLDER (R)		1	1	1	2	
	33911-88BLO-000 057	BCM-CONNECT CAP		1	1	1	2	
	33925-93J00-000 058	BCM CUSHION		1	1	1	2	
⑦	33926-98J00-000 064	TERMINAL RESISTOR		2	—	2	2	
⑧	36625-98J10-000 063	BATTERY-LEAD		1	—	1	1	
⑨	36623-98J30-000	BCM #1 WIRING HARNESS		1	—	1	1	
⑩	36622-98J00-000 062	DUAL-STATION WIRING HARNESS		—	1	—	1	
⑪	36624-98J11-000	BCM #2 WIRING HARNESS		—	1	—	1	
⑫	37803-93J04-000 076	EMERGENCY SWITCH PANEL		—	1	—	1	
—	36621-98J00-000 061	ENGINE WIRING HARNESS		1	—	1	1	
—	09403-13402-000	HARNES CLAMP		15	10	—	—	
* ⑬	36620-98J30-000 059	MAIN WIRING HARNESS	6.5m				1	2
	36620-98J40-000		9.5m					
	36620-98J50-000 060	MAIN WIRING HARNESS EXTENSION	2.0m				—	—

*⑬ is not included these kits. Please purchase these items separately

SINGLE STATION



DUAL STATION



REMOTE-CONTROL KIT for TRIPLE ENGINE

	PART NUMBER	PART NAME	LENGTH	KIT		Total Required Quantity	
				1st Station 67000-98J48-000 BINNACLE-MOUNT OR FLUSH-MOUNT CONTROL KIT	2nd Station 67000-98J58-000 2ND-STATION CONTROL KIT	SINGLE STATION	DUAL STATION
①	67200-98J13-000	049 BINNACLE MOUNT R/C BOX		1	1	1	2
②	37100-98J31-000	053 CONTROL PANEL		1	1	1	2
③	37100-98J04-000	050 MAIN SWITCH PANEL		1	-	1	1
④	37860-87L00-000	080 TROLL MODE SWITCH PANEL		1	1	1	2
⑤	38500-93J90-000	082 WARNING BUZZER		1	1	1	2
	09407-08401-000	WARNING-BUZZER CLAMP		1	1	1	2
	36770-98J10-000	054 BOAT CONTROL MODULE		1	1	1	2
	36775-98J00-000	055 BCM HOLDER (L)		1	1	1	2
⑥	36776-98J00-000	056 BCM HOLDER (R)		1	1	1	2
	33911-88BLO-000	057 BCM-CONNECT CAP		1	1	1	2
	33925-93J00-000	058 BCM CUSHION		1	1	1	2
⑦	33926-98J00-000	064 TERMINAL RESISTOR		2	-	2	2
⑧	36625-98J10-000	063 BATTERY-LEAD		1	-	1	1
⑨	36623-98J30-000	BCM #1 WIRING HARNESS		1	-	1	1
⑩	36622-98J00-000	062 DUAL-STATION WIRING HARNESS		-	1	-	1
⑪	36624-98J11-000	BCM #2 WIRING HARNESS		-	1	-	1
⑫	37803-93J04-000	076 EMERGENCY SWITCH PANEL		-	1	-	1
-	36621-98J00-000	061 ENGINE WIRING HARNESS		1	-	1	1
-	09403-13402-000	HARNESS CLAMP		18	10	-	-
*⑬	36620-98J30-000	059 MAIN WIRING HARNESS	6.5m			1	2
	36620-98J40-000	9.5m					
	36620-98J50-000	060 MAIN WIRING HARNESS EXTENSION	2.0m			-	-

*⑬ is not included these kits. Please purchase these items separately

REMOTE-CONTROL KIT for QUADRUPLE ENGINE

	PART NUMBER	PART NAME	LENGTH	KIT		Total Required Quantity	
				1st Station 67000-98J70-000 BINNACLE-MOUNT OR FLUSH-MOUNT CONTROL KIT	2nd Station 67000-98J80-000 2ND-STATION CONTROL KIT	SINGLE STATION	DUAL STATION
①	67200-98J13-000	049 BINNACLE MOUNT R/C BOX		1	1	1	2
②	37100-98J21-000	052 CONTROL PANEL		2	2	2	4
③	37100-98J04-000	050 MAIN SWITCH PANEL		1	-	1	1
④	37860-87L00-000	080 TROLL MODE SWITCH PANEL		1	1	1	2
⑤	38500-93J90-000	082 WARNING BUZZER		2	2	2	4
	09407-08401-000	WARNING-BUZZER CLAMP		2	2	2	4
	36770-98J20-000	BOAT CONTROL MODULE		2	2	2	4
	36775-98J00-000	055 BCM HOLDER (L)		2	2	2	4
⑥	36776-98J00-000	056 BCM HOLDER (R)		2	2	2	4
	33911-88BLO-000	057 BCM-CONNECT CAP		2	2	2	4
	33925-93J00-000	058 BCM CUSHION		2	2	2	4
⑦	33926-98J00-000	064 TERMINAL RESISTOR		4	-	4	4
⑧	36625-98J10-000	063 BATTERY-LEAD		2	-	2	2
⑨	36623-98J40-000	BCM #1 WIRING HARNESS		1	-	1	1
⑩	36622-98J00-000	062 DUAL-STATION WIRING HARNESS		-	2	-	2
⑪	36623-98J40-000	BCM #2 WIRING HARNESS		-	1	-	1
⑫	37803-93J04-000	076 EMERGENCY SWITCH PANEL		-	1	-	1
-	36621-98J00-000	061 ENGINE WIRING HARNESS		2	-	2	2
-	09403-13402-000	HARNESS CLAMP		20	15	-	-
*⑬	36620-98J30-000	059 MAIN WIRING HARNESS	6.5m			2	4
	36620-98J40-000	9.5m					
	36620-98J50-000	060 MAIN WIRING HARNESS EXTENSION	2.0m			-	-

*⑬ is not included these kits. Please purchase these items separately

COMPONENT OF SUZUKI PRECISION CONTROL

Applicable model
DF150TG/ZG/175TG/ZG/200AP/250AP/300AP

MAIN SWITCH PANEL



37100-98J04-000 050

Single ignition with Emergency-stop switch

CONTROL PANEL



37100-98J11-000 051

for Single-Engine



37100-98J21-000 052

for Dual-Engine



37100-98J31-000 053

for Triple-Engine

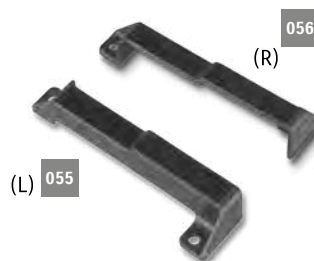
BOAT CONTROL MODULE (BCM)



36770-98J10-000 054

36770-98J20-000
for Quadruple engines

BCM HOLDER (L/R)



36775-98J00-000 055

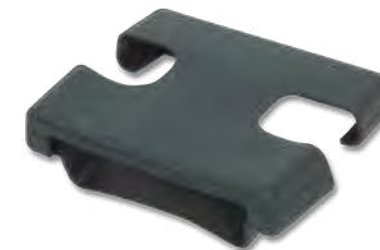
36776-98J00-000 056

BCM-CONNECT CAP



33911-88BLO-000 057

BCM CUSHION



33925-93J00-000 058

MAIN WIRING HARNESS



36620-98J30-000 059
6.5 meters for control system

36620-98J40-000
9.5 meters for control system

MAIN-WIRING-HARNESS EXTENSION



36620-98J50-000 060
2.0 meters for control system

ENGINE WIRING HARNESS



36621-98J00-000 061
for Dual engines

36621-98J10-000
for Triple engines

DUAL-STATION WIRING HARNESS



36622-98J00-000 062
for Dual-station control system

BATTERY LEAD



36625-98J10-000 063
6.5 meters

TERMINAL RESISTOR



33926-98J00-000 064

BCM #1 WIRING HARNESS



36623-98J20-000 065
for Single engine and Single (First) station

36623-98J30-000
for Dual or Triple engines and Single (First) station

36623-98J40-000
for Quadruple engines

BCM #2 WIRING HARNESS



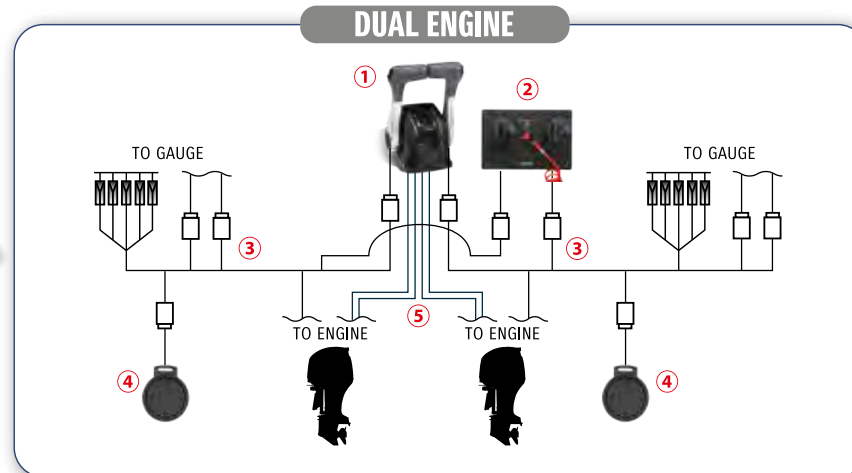
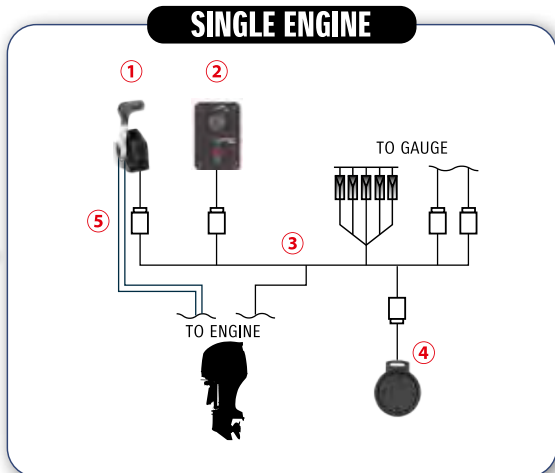
36624-98J02-000 066
for Single engine and Second station

36624-98J11-000
for Dual or Triple engines and Second station

36623-98J40-000
for Quadruple engines and Second station



MECHANICAL REMOTE CONTROL SYSTEM



REMOTE-CONTROL KIT for SINGLE ENGINE + SINGLE STATION				KIT					Total Required Quantity
PART NUMBER	PART NAME	LENGTH	1st Station	1st Station	1st Station	1st Station	1st Station		
			67000-93J05-000 BINNACLE-MOUNT CONTROL KIT	67000-93J49-000 BINNACLE-MOUNT CONTROL KIT	67000-93J26-000 FLUSH-MOUNT CONTROL KIT	67000-93J90-000 FLUSH-MOUNT CONTROL KIT	67000-93J80-000 SIDE-MOUNT CONTROL KIT		
① 67200-93J13-000 067	BINNACLE MOUNT R/C BOX		1	1	—	—	—	1	
67200-93J32-000 069	FLUSH MOUNT R/C BOX		—	—	1	1	—	1	
67200-93J50-000	SIDE MOUNT R/C BOX		—	—	—	—	1	1	
37803-93J04-000 076	EMERGENCY SWITCH PANEL		—	—	—	—	—	—	
37803-99E04-000	EMERGENCY SWITCH PANEL		—	—	—	—	—	—	
37100-96J00-000 075	IGNITION SWITCH PANEL		—	—	—	—	—	1	
37100-96J24-000 077	SINGLE IGNITION WITH E/S SWITCH		1	1	1	1	※1	1	
36620-93J02-000 073	MAIN WIRING HARNESS	6.5m	—	1	—	1	1	1	
36620-93J52-000		5.0m	—	—	—	—	—		
36620-93J62-000		8.0m	—	—	—	—	—		
36620-94J01-000		6.5m	—	—	—	—	—		
34200-93J12-000 021	TACHOMETER (FACE : WHITE)		—	1	—	1	1	1	
34800-93J11-000 027	TRIM GAUGE (FACE : WHITE)		—	1	—	1	1		
38500-93J90-000 082	WARNING BUZZER		—	—	—	—	※1	1	
09407-08401-000	WARNING-BUZZER CLAMP		—	—	—	—	※1	1	
67320-93J00-000 084	R/C CABLE (FOR THROTTLE AND SHIFT CABLES)	8ft. / 2.44m	—	—	—	—	—	2	
67320-93J10-000		10ft. / 3.05m	—	—	—	—	—		
67320-93J20-000		12ft. / 3.66m	—	—	—	—	—		
67320-93J30-000		14ft. / 4.27m	—	—	—	—	—		
67320-93J40-000		16ft. / 4.88m	—	—	—	—	—		
67320-93J50-000		18ft. / 5.49m	—	—	—	—	—		
67320-93J60-000		20ft. / 6.10m	—	—	—	—	—		
67320-93J70-000		22ft. / 6.71m	—	—	—	—	—		
67320-93J80-000	24ft. / 7.32m	—	—	—	—	—			
36620-93J10-000	MAIN WIRING HARNESS EXTENSION	2m	—	—	—	—	—	—	
36620-93J40-000		3m	—	—	—	—	—		
37860-87L00-000 080	TROLL MODE SWITCH PANEL		—	—	—	—	※2	—	

REMOTE-CONTROL KIT for DUAL ENGINE + SINGLE STATION				KIT			Total Required Quantity
PART NUMBER	PART NAME	LENGTH	1st Station	1st Station	1st Station		
			990C0-93J14-000 BINNACLE-MOUNT CONTROL KIT	67000-93J14-000 BINNACLE-MOUNT CONTROL KIT	—		
① 67200-93J23-000 068	BINNACLE MOUNT R/C BOX		1	1	—	1	
② 37100-96J14-000 078	DUAL IGNITION WITH E/S SWITCH		1	1	—	1	
36620-93J02-000 073	MAIN WIRING HARNESS	6.5m	—	—	2	2	
36620-93J52-000		5.0m	—	—	—		
36620-93J62-000		8.0m	—	—	—		
36620-94J01-000		6.5m	—	—	—		
34200-93J12-000 021	TACHOMETER (FACE : WHITE)		—	—	2	—	
34800-93J11-000 027	TRIM GAUGE (FACE : WHITE)		—	—	2		
38500-93J90-000 082	WARNING BUZZER		—	—	—	2	
09407-08401-000	WARNING-BUZZER CLAMP		—	—	—	2	
67320-93J00-000 084	R/C CABLE (FOR THROTTLE AND SHIFT CABLES)	8ft. / 2.44m	—	—	—	4	
67320-93J10-000		10ft. / 3.05m	—	—	—		
67320-93J20-000		12ft. / 3.66m	—	—	—		
67320-93J30-000		14ft. / 4.27m	—	—	—		
67320-93J40-000		16ft. / 4.88m	—	—	—		
67320-93J50-000		18ft. / 5.49m	—	—	—		
67320-93J60-000		20ft. / 6.10m	—	—	—		
67320-93J70-000		22ft. / 6.71m	—	—	—		
67320-93J80-000	24ft. / 7.32m	—	—	—			
36620-93J10-000	MAIN WIRING HARNESS EXTENSION	2m	—	—	—	—	
36620-93J40-000		3m	—	—	—		
37860-87L00-000 080	TROLL MODE SWITCH PANEL		—	—	—	—	

These accessories in yellow painted are optional ones. Please select your best one depending on your rigging system.

※1 The side mount control box is equipped with an ignition switch, an emergency switch and warning buzzer with clamp.

※2 For more accurate speed control, please purchase the TACHOMETER (34200-93J50(40)) separately.

BINNACLE-MOUNT REMOTE CONTROL BOX



67200-93J13-000 067
Single-engine
Applicable Model DF8A-250



67200-93J23-000 068
Dual-engine
Applicable Model DF8A-250

FLUSH-MOUNT REMOTE CONTROL BOX



67200-93J32-000 069
Single-engine
Applicable Model DF8A-250

SIDE-MOUNT REMOTE CONTROL BOX



67200-91J20-000
Single-engine
Applicable Model DF4-6

67200-94J20-000 070
Single-engine with warning buzzer
Applicable Model DF8A-30A

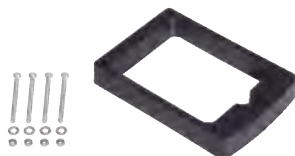
67200-93J50-000
Single-engine with PTT switch
Applicable Model DF9.9B-250

67200-89E40-000
Single-engine with warning buzzer
Applicable Model DT30/40W

SPACER KIT for REMOTE CONTROL BOX



67500-93J00-000 071
for Single Binnacle-mount type
Applicable Model DF8A-250



67500-93J10-000 072
for Dual Binnacle-mount type
Applicable Model DF8A-250

CONNECTION between ENGINE and CONTROL SYSTEM

MAIN WIRING HARNESS



36620-93J52-000
5.0 meters for Control system
Applicable Model DF40A-250

36620-93J02-000 073
6.5 meters for Control system
Applicable Model DF40A-250

36620-93J62-000
8.0 meters for Control system
Applicable Model DF40A-250

36620-94J01-000
6.5 meters for Control system without
Monitor-signal wire,
Trim-sender wire and PTT-SW wire
Applicable Model DF8A/9.9B/15A/20A

36620-94L10-000
5.0 meters for Control system without
Trim-sender wire and PTT-SW wire
Applicable Model DF25A/30A

MAIN WIRING HARNESS EXTENSION

36620-93J10-000
2.0 meters for Control system
Applicable Model DF9.9B-250

36620-93J40-000
3.0 meters for Control system
Applicable Model DF9.9B-250

BATTERY LEAD



36625-93J10-000 074
6.7 meters
Applicable Model DF70-90A/150/175/200A/
200-250

36625-93J00-000
3.9 meters
Applicable Model DF70-90A/150/175/200A/
200-250

COMPONENT OF MECHANICAL REMOTE CONTROL SYSTEM

IGNITION SWITCH PANEL



37100-96J00-000 075

Single ignition
Applicable Model DF9.9B-250

37100-99E00-000

Single ignition
Applicable Model DT30

EMERGENCY SWITCH PANEL



37803-93J04-000 076

Applicable Model DF9.9B-300AP

37803-99E04-000

Applicable Model DT30

LIGHTING SWITCH PANEL



37210-93J00-000 079

Applicable Model DF9.9B-250, DT30/40W

IGNITION SWITCH PANEL



37100-96J24-000 077

Single ignition with
Emergency-stop switch
Applicable Model DF9.9B-250

IGNITION SWITCH PANEL



37100-96J14-000 078

Dual ignition with
Emergency-stop switch
Applicable Model DF9.9B-250

TROLL MODE SWITCH PANEL



37860-87L00-000 080

Applicable Model DF40A-140A/150TG/ZG/
175TG/ZG/200A/AP/250AP/
300AP

Activates SUZUKI Troll Mode System and controls RPM from idling engine speed up to 1200rpm at every 50rpm.

PTT SWITCH PANEL



37805-93J00-000 081

Applicable Model DF40A-250

WARNING BUZZER



38500-93J90-000 082

Applicable Model DF9.9B-300AP

REMOTE-CONTROL CABLE



67320-93J40-000

16 feet 4.88 meters

Applicable Model DF4-250, DT30/40W

67320-93J50-000

18 feet 5.49 meters

Applicable Model DF4-250, DT30/40W

67320-93J60-000

20 feet 6.10 meters

Applicable Model DF4-250, DT30/40W

67320-93J70-000

22 feet 6.71 meters

Applicable Model DF4-250, DT30/40W

67320-93J80-000

24 feet 7.32 meters

Applicable Model DF4-250, DT30/40W

GENUINE REMOTE-CONTROL CABLES employ the latest in cable technology. The inner core is encased in nylon, and travels back and forth in a high-density polyethylene liner.

THRU-HULL-HOSE ATTACHMENT



67300-90J00-000

Applicable Model DF70A-140A

67300-93J00-000 083

Applicable Model DF150-300AP

67320-93J00-000 084

8 feet 2.44 meters

Applicable Model DF4-250, DT30/40W

67320-93J10-000

10 feet 3.05 meters

Applicable Model DF4-250, DT30/40W

67320-93J20-000

12 feet 3.66 meters

Applicable Model DF4-250, DT30/40W

67320-93J30-000

14 feet 4.27 meters

Applicable Model DF4-250, DT30/40W

THRU-HULL FITTING AND HOSE KIT



990C0-20010-000

Single, dual, triple engine installations. One kit is necessary for each engine used. When attaching the rigging tube to the engine, adapter kit 67300-90J00-000/67300-93J00-000 is also required for each engine.

Applicable Model DF70AT-140T/Z, DF150T/Z-300T/Z (model year 2006-)

TWIN REMOCON ATTACHMENT KIT

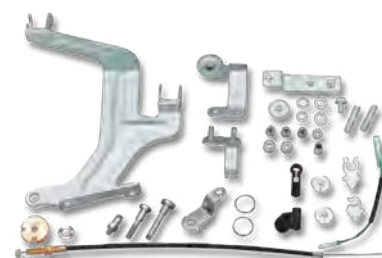


67140-95600-000 085

Applicable Model DF8A-250, DT30/40W

REMOTE-CONTROL ATTACHING KIT

Converts ME model to REMOTE-CONTROL model.



67101-91J00-000 086

Applicable Model DF4-6

67130-94L00-000

Applicable Model DF25A/30A

67130-94L10-000

Applicable Model DF25ATH/DF30ATH

67130-99J00-000

CLAMP BRACKET SET (41100-99J00-0EP) is required for installing 67130-99J00-000.

Applicable Model DF8A/9.9A

67130-89L02-000

Applicable Model DF9.9B/15A/20A

CLAMP BRACKET SET

41100-99J00-0EP

Applicable Model DF8A/9.9A

STEERING

TILLER HANDLE KIT



63002-88L21-0EP 087

Applicable Model DF40A/50A

63002-88L11-0EP 088

Applicable Model DF60A/50AV/60AV

63002-87L12-0EP 089

Applicable Model DF70A-90A

63002-90J31-0EP 090

with Adjustable Steering Damper

Applicable Model DF100A/115A

Main features



Tachometer with warning indicators



Three position angle adjustable bracket



Troll mode switch

- Activates SUZUKI Troll Mode System and controls RPM from idling engine speed up to 1200rpm at every 50rpm.



Power trim & tilt switch and throttle grip friction adjuster

TILLER HANDLE KIT



The conventional kits are also applicable.

63002-88L07-0EP

Applicable Model DF40A-60A

63002-87L04-0EP

Applicable Model DF70A-90A

63002-90J26-0EP 091

with Adjustable Steering Damper

Applicable Model DF100A/115A

CONTENTS: Ignition switch, Engine-stop switches, Wiring harness, Cables and grommets
TILLER HANDLE KITS are designed for easy installation for selected electric start models.

DUAL-ENGINE TIE-BAR



67600-90J00-000 092

Stainless steel

Applicable Model DF100A-140A

67600-93J00-000

Stainless steel

Applicable Model DF150-250

STEERING EXTENSION KIT



67630-93J00-000 093

for installation of DUAL-ENGINE TIE-BAR (67600-93J00-000)

Applicable Model DF150-250

STEERING CABLE SEAL



41161-94400-000 094

Applicable Model DF8A-250, DT25K-40W

STEERING-BRACKET ATTACHMENT



43755-87L00-000 095

Applicable Model DF70A/90A

43755-88L00-0EP

Applicable Model DF40A-60A

43755-94L00-000

Applicable Model DF25A-30A

43755-99J00-000

Applicable Model DF8A-20A

43755-96320-000

Applicable Model DT25K/30/40W

DRAG-LINK KIT



67700-87L01-000 096

Applicable Model DF70A-90A

67700-93J00-000

Applicable Model DF40A-60A/200-250

67700-96J00-000

Applicable Model DF150-175/200A/AP

67701-87J11-000

Applicable Model DF40A-60A/200-250

67701-87L01-000

Applicable Model DF70A-90A

67701-90J01-000

Applicable Model DF100A-140A

67701-96J00-000

Applicable Model DF150-175/200A/AP

67701-94420-000

Applicable Model DT25K/30

67701-94L00-000

Applicable Model DF25A/30A

67701-99J02-000

Applicable Model DF8A-DF20A

Recommended STEERING SYSTEM supplied by



SEASTAR SOLUTIONS®

www.seastarsolutions.com

Order taking, delivery, technical support and warranty for these products are handled by SeaStar Solutions.

Please consult to local SeaStar Solutions distributor or dealer if you need more detail for product information, price, availability and all business terms.

STEERING KIT

BAYSTAR™



BAYSTAR

BAYSTAR OUTBOARD SYSTEM - HK4645H

System comprises:	
BayStar Helm 1.4cu" (22.94cc)	HH4314
BayStar Compact Cylinder	HC4645H*
20ft "cut to length" tubing kit	HT4420H
2 x 1 litre hydraulic oil	HO5430

*Note: 115-140hp four stroke 2001 to current model require HC4658H.

SEASTAR™



SEASTAR

SEASTAR OUTBOARD SYSTEM - HK6400

System comprises:	
SeaStar Helm 1.7cu" (27.80cc)	HH5271
SeaStar Pivot Cylinder	HC5345*
2 x 1 litre hydraulic oil	HO5430
Note: 1 x SeaStar hose kits must be ordered separately	

*Note: 115-140hp 1996 only requires HC5348, 40-140hp four stroke 1998 to current model and 90hp four stroke 2003 to current model require HC5358.

SEASTAR™ PA



SEASTAR POWER ASSIST

SEASTAR OUTBOARD POWER ASSIST SYSTEM

System comprises:	
SeaStar Helm 1.7cu" (27.80cc)	HH5271
SeaStar Pivot Cylinder	HC5345*
2 x 1 litre hydraulic oil	HO5430
SeaStar 12v Power Assist Unit	PA1200-2
Note: 2 x SeaStar hose kits must be ordered separately	

*Note: 115-140hp 1996 only requires HC5348, 40-140hp four stroke 1998 to current model and 90hp four stroke 2003 to current model require HC5358.

*For further application information please refer to www.seastarsolutions.com

		75 HP	115 HP	150 HP	200 HP	250 HP	300 HP	300 HP+	
BAYSTAR	OPTIMUM	[Bar]							
	MAXIMUM	[Bar]							
SEASTAR OUTBOARD SYSTEM	OPTIMUM	[Bar]			[Bar]				
	MAXIMUM	[Bar]							
SEASTAR POWER ASSIST OUTBOARD SYSTEM	OPTIMUM	[Bar]			[Bar]				
	MAXIMUM	[Bar]							

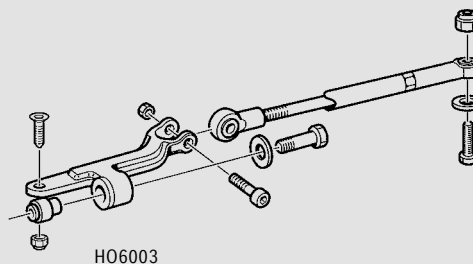
As specialists in the art of steering, SeaStar Solutions take the recommendation of steering systems very seriously especially as modern outboard engines become more powerful. Unlike other steering manufacturers we prefer to make systems recommendations based on "optimum comfort"

TIE-BAR KIT

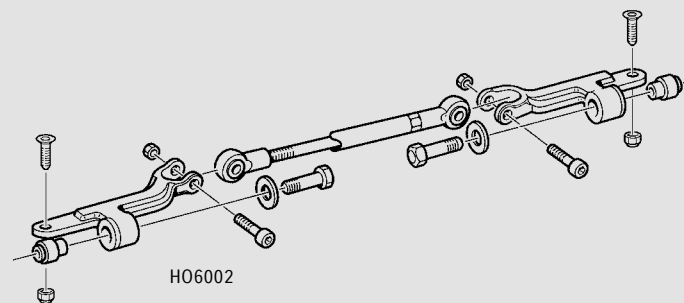
Features

General purpose system.
Single and multiple engine capability.
Total power up to 700 HP
*counter-rotating.

Independent engine tilt for twin engine
Easy steering.
5 turns lock to lock steering response.



HO6003



HO6002

Applications

Twin Engine Application for Suzuki Outboard Motors

MODEL (4-CYCLE)	CYLINDER	TIE BAR KITS		NOTES
		TWIN ENGINE SINGLE CYL.	TWIN ENGINE DUAL CYL.	
DF40A/50A/60A	HC5358	HO6003	HO6002	Requires kit HO5090
DF70A/80A/90A	HC5358	HO6003	HO6002	Requires kit HO5090
DF100	HC5358	HO6003	HO6002	Requires kit HO5090
DF115/140	HC5358	HO6003	HO6002	Requires kit HO5090
DF150/175	HC5345	HO6003	HO6002	
DF200/225/250	HC5345	HO6003	HO6002	
DF300	HC5345	HO6003	HO6002	

Triple Engine Configuration for Suzuki Outboard Motors

MODEL (4-CYCLE)	CYLINDER	TIE BAR KITS		NOTES
		PORT ENGINE TO DRIVE CYL.	STARBOARD ENGINE TO DRIVE CYL.	
DF150/175	HC5345	HO6003	HO6002	See notice
DF200/225/250	HC5345	HO6003	HO6002	See notice
DF300	HC5345	HO6003	HO6002	See notice

ELECTRICAL PARTS

ELECTRIC STARTER KIT



31000-94L01-000 097

Applicable Model DF25A/30A

31000-99J00-000

Applicable Model DF8A/9.9A

31000-89L02-000

Applicable Model DF9.9B/15A/20A
Converts MZ model into ME model.

BATTERY CHARGING KIT

32000-91J13-000

80W

Applicable Model DF4-6

32000-94L00-000

80W

Applicable Model DF25A/30A

32000-99J00-000

80W

Applicable Model DF8A/9.9A

32000-89L00-000

80W

Applicable Model DF9.9B/15A/20A

RECTIFIER SET



32801-91J01-000 098

Applicable Model DF4-6

32801-95J01-000 099

Applicable Model DF8A/9.9A

32801-89L00-000

Applicable Model DF9.9B/15A/20A

RECEPTACLE KIT



39600-91J13-000

Applicable Model DF4-6

39600-94J01-000 102

Applicable Model DF8A/9.9A

39600-89L00-000

Applicable Model DF9.9B/15A/20A



39600-94L00-000 103

Applicable Model DF25A/30A



39600-93910-000 104

Applicable Model DT9.9A-40W



32801-94402-000 101

Applicable Model DT40W

STARTER MOTOR SET



31101-96320-0EP 105

Applicable Model DT30

COUNTER SELECT CONNECTOR



36612-98J01-000 106

Applicable Model DF200AP/250AP/300AP
Converts DF300AP/250AP to counter rotation specification.

BATTERY ISOLATOR LEAD SET



33830-96J00-000 107

Applicable Model DF150TG/ZG/175TG/ZG/
200A/AP/250AP/300AP

33830-98J11-000

Applicable Model DF300AP/250AP

FLYWHEEL



32102-96462-000 108

Applicable Model DT30

STARTING SWITCH & CABLE SET



33800-96304-000 109

Applicable Model DT30

ANODE

FUEL SYSTEM

GENUINE RIGGING-PARTS AND ACCESSORIES

ZINC ANODE for saltwater



55300-95500-000 110

Applicable Model DF8A/9.9A/40A-60A,
DT25K-40W



55320-95311-000 111

Applicable Model DF40A-60A/150-300AP



55125-96310-000 112

Applicable Model DF25/R/Q



55321-90J01-000 113

Applicable Model DF50AV/60AV/100A-140A

ALUMINUM ANODE for brackish water, saltwater



55321-87J00-000 114

Applicable Model DF2.5-300AP,
DT9.9AK/15AK



55320-94900-000 115

Applicable Model DF60A-300AP



55321-95J00-000 116

Applicable Model DF2.5

55321-93J00-000 117

Applicable Model DF150-300AP

55321-99E00-000

Applicable Model DF70AT/TH-300

MAGNESIUM ANODE for freshwater



55321-87J10-000 118

Applicable Model DF4-300AP,DT9.9A/15A



55321-94910-000 119

Applicable Model DF70A-300AP

FUEL TANK

NOTE : These tanks do not meet US-EPA requirements.



65000-99100-000 120

12-litre plastic tank without
fuel-level gauge

Applicable Model DF4/5/6, DT9.9AK/
15AK/25K/40WK
(-K:For Gasoline)

65000-95D01-000 121

25-litre plastic tank with
fuel-level gauge

Applicable Model DF8A-140A,
DT9.9AK-40W/WR/WK
(-K:For kerosene)

65000-89L10-000

12-litre plastic tank

Applicable Model DF8A-20A

REPLACEMENT FUEL CAP

NOTE : These caps do not meet US-EPA requirements.

65520-99100-000

for 12-litre tank without fuel-level gauge

Applicable Model DF5-20A/R,DT9.9AK/15AK/25K/40WK

65520-95D01-000

for 25-litre tank with fuel-level gauge

Applicable Model DF8A-140A,DT9.9AK-40W/WR/WK

FUEL-HOSE SOCKET



65750-98505-000 122

Metal, Inner diameter: 11.2 mm

Applicable Model DF4-20A/R, DT9.9/K-40W/
WR/WK



65750-87J11-000 123

Plastic, Inner diameter: 6.6 mm

Applicable Model DF4/8A-30A



65750-955L0-000 124

Metal, Inner diameter: 13.0 mm

Applicable Model DF8A/R-140A,
DT9.9AK-40W/WR/WK

FUEL SYSTEM

FUEL CONNECTOR (ENGINE SIDE)



65720-986L0-000 125

Plastic

Applicable Model DF4

FUEL CONNECTOR (TANK SIDE)



65740-95D01-000 126

Outer diameter: 13 mm, 1/4"NPT

Applicable Model DF8A/R-140A,
DT9.9/K-40W/WR/WK

SQUEEZE PUMP



65770-99J01-000 127

Small-in & Large-out

Applicable Model DF4-6, DT9.9AK/15AK/25K/40WK

65770-90J11-000

Large-in & Large-out

Applicable Model DF8A-140A, DT9.9AK/15AK/25K/40WK

65770-93J11-000

Large-in & Large-out

Applicable Model DF150-300AP

65770-90L01-000

Large-in & Small-out

Applicable Model DF9.9A/15A/DT30/40W

SQUEEZE PUMP

(Meets US-EPA requirements.)

65770-94J02-000

Small-in & Large-out

Applicable Model DF4/6

65770-90J01-000

Large-in & Large-out

Applicable Model DF8A-25A/30A

65770-93J02-000

Large-in & Large-out

Applicable Model DF150-300AP

FUEL-HOSE COMPONENT



65700-94JD1-000

for 12-litre plastic tank to engine

Applicable Model DF4-6

65700-93J02-000 128

for fuel tank to engine

Applicable Model DF150-300AP

65700-87J15-000

for 25-litre plastic tank to engine

Applicable Model DF8A-20A

65700-90J14-000

for 25-litre plastic tank to engine

Applicable Model DF40A-140A

65700-95D03-000

for 12-litre plastic tank to engine (gasoline)

Applicable Model DT9.9AK/15AK/25K/40WK

65700-96362-000

for 25-litre plastic tank to engine (kerosene)

Applicable Model DT9.9AK/15AK/25K/40WK

65700-94415-000

with fuel filter (gasoline)

Applicable Model DT9.9AK/15AK/25K/40WK

65700-94433-000

with fuel filter (kerosene)

Applicable Model DT9.9AK/15AK

Only for P36 ver.

FUEL-HOSE COMPONENT

(Meets US-EPA requirements.)

65700-91J25-000

Applicable Model DF4/6

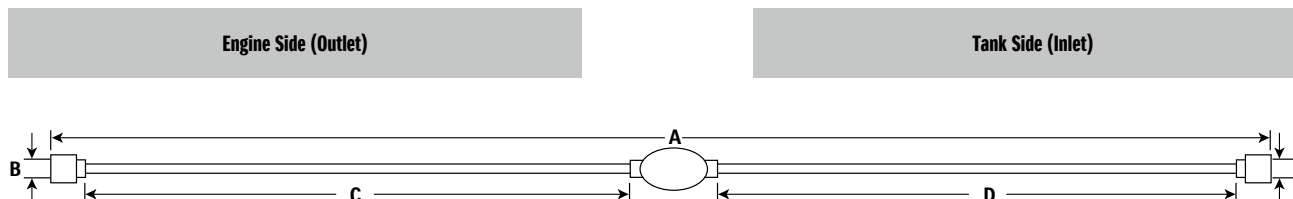
65700-87J24-000

Applicable Model DF8A-25

65700-88L03-000

Applicable Model DF40A-60A

FUEL-HOSE COMPONENT Chart



FUEL HOSE COMPONENT		SOCKET			HOSE				SQUEEZE PUMP	HOSE				SOCKET		
Part Number	A Length (mm)	Material	B I/D (mm)	Part Number	C Length (mm)		I/D (mm)	O/D (mm)		D Length (mm)		I/D (mm)	O/D (mm)	Material	E I/D (mm)	Part Number
65700-94JD1-000	1970	Plastic	6.6	65750-87J11-000	700	Large	7.3	12.5	65770-99J01-000	1100	Small	5.3	10.5	Metal	11.2	65750-98505-000
65700-93J02-000	2370	(no socket)	-	-	(no hose)	-	-	-	65770-93J11-000	2250	Large	9.0	14.0	(no socket)	-	-
65700-87J15-000	1970	Plastic	6.6	65750-87J11-000	700		7.3	12.5	65770-90J11-000	1100		7.3	12.5	Metal	13.0	65750-95500-000
65700-90J14-000	1250	(no socket)	-	-	(no hose)	-	-	-	65770-90J11-000	1100		7.3	12.5	Metal	13.0	65750-95500-000
65700-95D03-000	2550	Metal	13.0	65750-95500-000	300		7.3	12.5	65770-99J01-000	2090		5.3	10.5	Metal	11.2	65750-98505-000
65700-96362-000	2620	Metal	11.2	65750-98505-000	300		5.3	10.5	-	2250		7.3	12.5	Metal	13.0	65750-95500-000
65700-94415-000	3100	Metal	13.0	65750-95500-000	300		7.3	12.5	65770-90J11-000	2600		7.3	12.5	-	-	-
65700-94433-000	3100	Plastic	13.8	65750-94404-000	3000		7.3	12.5	-	-		-	-	-	-	-
65700-91J25-000	2000	Plastic	6.6	65750-87J11-000	700		7.3	12.5	65770-94J02-000	1100		5.3	10.5	Metal	11.2	65750-98505-000
65700-87J24-000	2000	Plastic	6.6	65750-87J11-000	700		7.3	12.5	65770-90J01-000	1100		7.3	12.5	Metal	13.0	65750-95500-000
65700-88L03-000	1280	(no socket)	-	-	(no hose)	-	-	-	65770-90J01-000	1100		7.3	12.5	Metal	13.0	65750-95500-000

WATER SEPARATOR / FUEL FILTER



65900-98J00-000 129

Including filter element

Applicable Model DF8A-300AP,DT9.9A-40W/WR/WK

ELEMENT SET



65910-98J00-000 130

Replacement filter for water separator/fuel filter 65900-98J00-000

Applicable Model DF8A-300AP, DT9.9A-40W/WR/WK

PROPELLER

What is PROPELLER

Propeller selection is very important in the performance of your boat. Acceleration, speed, fuel efficiency, stability and engine RPM all are affected by the propeller selected. Operating requirements and conditions will also affect which design, style and pitch of propeller you may choose to meet your individual needs. The boat and engine combination may have already been tested by your dealer or the boat manufacturer for the appropriate propeller size. Your Suzuki Dealer can assist you with the process to determine the correct propeller for your application.

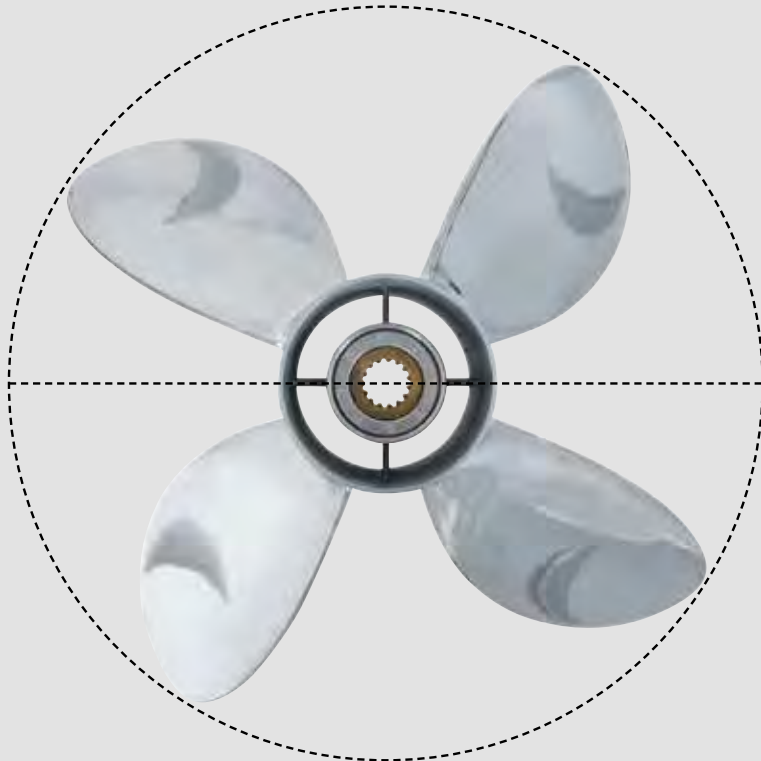
Stainless Steel Propellers

Suzuki Stainless Steel Propellers offer higher performance and greater durability than aluminum propellers. The aggressive design of these propellers enhances the overall performance of your boat and the durability of the stainless steel construction will give you long term dependability. Your Suzuki Stainless Steel propeller is also fitted with a rubber cushion hub to help absorb vibration and shock should you strike a foreign object.

Propeller Sizing

When referring to propeller size, such as 3 x 13 x 18, the first number is the number of blade, the second number details the diameter of the propeller and the third number is the pitch of the propeller.

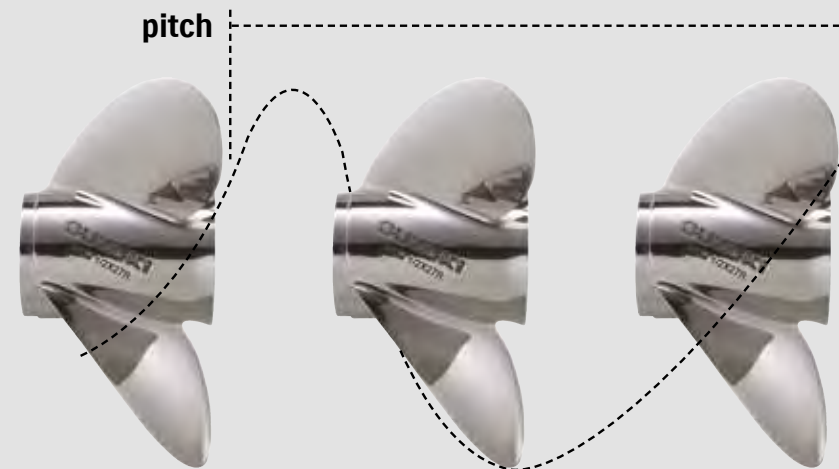
The pitch is the most significant number in the description. The diameter is usually predetermined by the propeller engineers and is based on the size and series of the engine.



Diameter

Diameter is considered to be the distance across an imaginary circle that is made when a propeller is rotated. Diameter is determined during the engineering process of designing a propeller and is usually based on requirements to meet the needs of engine size, gear case design, horsepower and speed.

diameter



Pitch

Pitch is used to describe the theoretical distance that a propeller “cork screws” through the water in inches of forward travel. In theory, an 18” pitch propeller would move ahead 18” with each complete revolution of a propeller. There is always some percentage of inefficiency as water conditions, boat weight and propeller style are introduced into the performance equation. The lower the “slip factor,” the more efficiently the propeller will perform and the faster the speed at a given engine RPM. Lower pitches accelerate faster, but have a lower top end speed. Higher pitches have a slower acceleration, but may attain higher top speeds. An inch of pitch generally is equal to 150-200 engine RPM at wide open throttle (WOT). If pitch is increased by an inch, RPM will decrease by 150-200 RPM at WOT. If pitch is decreased by an inch, RPM will increase by 150-200 RPM at WOT. Always operate your boat/engine combination within the recommended RPM range guidelines as stated in your operator’s manual. Operating outside the recommended range can cause severe damage to your engine and may void the engine warranty.



Propeller Cup

Cup is used to reduce the slip and ventilation of the propeller. This will allow you to operate your engine at a higher transom mounting and allow you to use more trim for bow lift. The cup refers to the area along the trailing edge of the propeller blade that has an increased pitch in the last 1/2” of the blade surface and extends to the blade tip.

Rake

Rake is described as the angle, in degrees, that the propeller blades are mounted to the “barrel” of the propeller. The blades of a zero degree rake propeller are mounted perpendicular to the “barrel” of the propeller. The blades of a higher rake propeller angle more to the rear of the propeller. A propeller with a high rake design will hold the water on the blades longer during operation and will ventilate less at higher engine heights. High rake propellers will produce higher thrust that will help lift the bow of the boat more effectively.

HARDWARE FOR PROPELLER

Applicable Model	STOPPER		PROPELLER BUSH		HARDWARE KIT	Contents of HARDWARE KIT			
		SPACER				SPACER	WASHER	NUT	COTTER PIN
DF2.5	57635-91JL0-000	-	58120-97JA0-000	Press-In	N/A	-	-	58130-91JL0-000	09204-03003-000
DF4/5/6	57635-91JL0-000	-	58120-91JL0-000	Press-In	N/A	-	-	58130-91JL0-000	09204-03003-000
DF8A/9.9A	57632-94J00-000	-	58120-93701-000	Press-In	N/A	-	09160-12066-000	09141-12005-000	09204-02004-000
DF9.9B/15A/20A, DT9.9A/15A	57632-94J00-000	-	58120-89L00-000	Press-In	N/A	-	09160-12066-000	09141-12005-000	09204-02004-000
DF25	57632-95J00-000	-	58120-96401-000	Press-In	57630-96300-000	57633-96300-000	09160-14028-000	09141-14008-000	09204-03003-000
DT25/30	57632-91L00-000	-	58120-96401-000	Press-In	57630-96300-000	57633-96300-000	09160-14028-000	09141-14008-000	09204-03003-000
DT40	57632-92L00-000	-	58120-88L01-000	Press-In	57630-94300-000	57633-94300-000	09160-18028-000	09141-18005-000	09204-03003-000
DF40A/50A/60A	57632-95320-000	-	58120-88L01-000	Press-In	57630-94300-000	57633-94300-000	09160-18028-000	09141-18005-000	09204-03003-000
DF50AV/60AV	57635-90J01-000	-	*58105-90J00-000	Press-In	57630-94500-000	57633-90J02-000	09160-18028-000	09141-18005-000	09204-03003-000
DF70A/80A/90A	57632-87L01-000	-			57630-90J00-000	57633-90J02-000	09160-18028-000	09141-18005-000	09204-03003-000
DF100A/115A T model (Right-Hand-Rotation)	57635-90J01-000	57632-90J00-000	*58105-90J00-000	Press-In	57630-90J00-000	57633-90J02-000	09160-18028-000	09141-18005-000	09204-03003-000
DF115A Z model (Counter-Rotation)	57635-92J01-000	-	**58120-90J00-000		57630-90J00-000	57633-90J02-000	09160-18028-000	09141-18005-000	09204-03003-000
DF140A	57635-92J01-000	-			57630-90J00-000	57633-90J02-000	09160-18028-000	09141-18005-000	09204-03003-000
					57630-90J00-000	57633-90J02-000	09160-18028-000	09141-18005-000	09204-03003-000
DF150-300AP	57632-93L01-000	-	***58105-93J00-000 ****58105-93J10-000	Press-In	57630-92E00-000	57633-87D30-000	09160-18028-000	09141-18005-000	09204-03003-000

*58105-90J00 is for **58100-87Lxx, 58100-90Jxx, 58200-92J4x-92J9x and 58200-92JAx-92JDx**. **58120-90J00 is for **58200-90J0x-90J3x and 58200-92J0x-92J3x**. ***58105-93J00 is for **58200-96Jxx**.

****58105-93J10 is for **58200-93Jxx, 58200-93Lxx and 58300-93Jxx**.

These bold letters indicate a proper part number in P34 & 35. Please refer to next pages.

PROPELLER

*RR:Right-Hand-Rotation model, CR:Counter-Rotation model

model	type	material	blabe	diamater	pitch	rotation*	description	part number
DF2.5	A520	Aluminum	3	7 3/8	5 3/8	RR		58110-97JA0-019
DF4	C601	Aluminum	3	7 1/2	6	RR		58110-91JL0-019
DF5	C611	Aluminum	3	7 1/2	6 1/2	RR		58110-91JM0-019
DF6	C701	Aluminum	3	7 1/2	7	RR		58110-91JN0-019
DF8A	M701	Aluminum	3	9 1/4	7	RR		58100-89L00-019
DF9.9A	M821	Aluminum	3	9 1/4	8	RR	THICK	58100-90L40-019
	M901	Aluminum	3	9 1/4	9	RR		58100-89L20-019
	M911	Aluminum	3	9 1/4	9	RR	THICK	58100-90L50-019
	M1001	Aluminum	3	9 1/4	10	RR		58100-89L30-019
	M1011	Aluminum	3	9 1/4	10	RR	THICK	58100-90L21-019
	M1101	Aluminum	3	9 1/4	11	RR		58100-89L40-019
DF9.9B		Aluminum	4	10	5	RR	High thrust	58100-94JA1-019
DF15A		Aluminum	3	9 1/4	7	RR		58100-89L00-019
DF20A		Aluminum	3	9 1/4	8	RR	THICK	58100-90L40-019
		Aluminum	3	9 1/4	9	RR		58100-89L20-019
DT9.9A		Aluminum	3	9 1/4	9	RR	THICK	58100-90L50-019
DT15A		Aluminum	3	9 1/4	10	RR		58100-89L30-019
		Aluminum	3	9 1/4	10	RR	THICK	58100-90L60-019
		Aluminum	3	9 1/4	11	RR		58100-89L40-019
		Aluminum	3	9 1/4	12	RR		58100-89L50-019
DF25	P911	Aluminum	3	10 1/4	9	RR	THICK	58100-96371-019
DT25	P1001	Aluminum	3	10 1/4	10	RR		58100-96411-019
DT30	P1011	Aluminum	3	10 1/4	10	RR	THICK	58100-96471-019
DF25A	P1101	Aluminum	3	10 1/4	11	RR		58100-96421-019
DF30A	P1201	Aluminum	3	10 1/4	12	RR		58100-91L00-019
	P1211	Aluminum	3	10 1/4	12	RR	THICK	58100-96481-019
	P1301	Aluminum	3	10 1/4	13	RR		58100-91L10-019
	P1311	Aluminum	3	10 1/4	13	RR	THICK	58100-96491-019
	P1401	Aluminum	3	10 1/4	14	RR		58100-95D01-019
	P1501	Aluminum	3	10 1/4	15	RR		58100-96461-019

model	type	material	blabe	diamater	pitch	rotation*	description	part number
DF40A	S900	Aluminum	3	11 1/2	9	RR		58100-88L03-019
DF50A	S1000	Aluminum	3	11 1/2	10	RR		58100-88L13-019
DF60A	S1100	Aluminum	3	11 1/2	11	RR		58100-88L23-019
DT40	S1200	Aluminum	3	11 5/8	12	RR		58100-88LA0-019
	S1301	Aluminum	3	11 1/2	13	RR		58100-88LB0-019
	S1400	Aluminum	3	11 3/8	14	RR		58100-88L52-019
	S1500	Aluminum	3	11 1/4	15	RR		58100-88L62-019
	S1600	Aluminum	3	11 1/8	16	RR		58100-88L72-019
	S1700	Aluminum	3	11	17	RR		58100-88L83-019
	SS1600	Stainless	3	11 1/8	16	RR		58200-88L30-000
DF50AV		Aluminum	3	14	9	RR		58100-87LG1-019
DF60AV		Aluminum	3	14	11	RR		58100-87LH0-019
		Aluminum	3	13 3/4	12	RR		58100-87LJ0-019
		Aluminum	3	14	13	RR		58100-87LA0-019
		Aluminum	3	13 7/8	15	RR		58100-87LB0-019
		Aluminum	3	13 3/4	17	RR		58100-87LC0-019
DF70A		Aluminum	3	14	13	RR		58100-87LA0-019
DF80A		Aluminum	3	13 7/8	15	RR		58100-87LB0-019
		Aluminum	3	13 3/4	17	RR		58100-87LC0-019
DF90A		Aluminum	3	13 3/4	19	RR		58100-87LD0-019
		Aluminum	3	13 3/4	21	RR		58100-87LE0-019
		Aluminum	3	13 3/4	23	RR		58100-87LF0-019
		Aluminum	3	13 1/2	15	RR		58100-90JE0-019
		Aluminum	3	14	17	RR		58100-90JA0-019
		Aluminum	3	14	19	RR		58100-90JB0-019
		Aluminum	3	14	21	RR		58100-90JC0-019
		Aluminum	3	14	23	RR		58100-90JD0-019
		Stainless	3	14 1/4	18	RR		99105-00700-18P
		Stainless	3	14 1/4	20	RR		99105-00700-20P
		Stainless	3	14 1/4	22	RR		99105-00700-22P
		Stainless	3	14 1/4	24	RR		99105-00700-24P
		Stainless	3	13 7/8	15	RR		58200-92J40-000
		Stainless	3	13 7/8	17	RR		58200-92J50-000
		Stainless	3	13 7/8	19	RR		58200-92J60-000
		Stainless	3	13 7/8	21	RR		58200-92J70-000
		Stainless	3	13 7/8	23	RR		58200-92J80-000
		Stainless	3	13 7/8	25	RR		58200-92J90-000

model	type	material	blabe	diamater	pitch	rotation*	description	part number
DF100A		Aluminum	3	13 1/2	15	RR		58100-90JE0-019
DF115A		Aluminum	3	14	17	RR		58100-90JA0-019
DF140A		Aluminum	3	14	19	RR		58100-90JB0-019
		Aluminum	3	14	21	RR		58100-90JC0-019
		Aluminum	3	14	23	RR		58100-90JD0-019
		Stainless	3	14 1/4	18	RR		99105-00700-18P
		Stainless	3	14 1/4	20	RR		99105-00700-20P
		Stainless	3	14 1/4	22	RR		99105-00700-22P
		Stainless	3	14 1/4	24	RR		99105-00700-24P
		Stainless	3	14 1/4	18	CR		99105-0070L-18P
		Stainless	3	14 1/4	20	CR		99105-0070L-20P
		Stainless	3	14 1/4	22	CR		99105-0070L-22P
		Stainless	3	14 1/4	24	CR		99105-0070L-24P
		Stainless	3	13 7/8	15	RR		58200-92J40-000
		Stainless	3	13 7/8	17	RR		58200-92J50-000
		Stainless	3	13 7/8	19	RR		58200-92J60-000
		Stainless	3	13 7/8	21	RR		58200-92J70-000
		Stainless	3	13 7/8	23	RR		58200-92J80-000
		Stainless	3	13 7/8	25	RR		58200-92J90-000
		Stainless	3	13 7/8	17	CR		58200-92JA0-000
		Stainless	3	13 7/8	19	CR		58200-92JB0-000
		Stainless	3	13 7/8	21	CR		58200-92JC0-000
		Stainless	3	13 7/8	23	CR		58200-92JD0-000

model	type	material	blabe	diamater	pitch	rotation*	description	part number
DF150		Stainless	3	16	15	RR		58200-93L80-000
DF175		Stainless	3	16	17	RR		58200-93L00-000
DF200		Stainless	3	16	18 1/2	RR		58200-93L10-000
DF225		Stainless	3	16	20	RR		58200-93L20-000
DF250		Stainless	3	16	21 1/2	RR		58200-93L30-000
DF250AP		Stainless	3	16	23	RR		58200-93L40-000
DF300AP		Stainless	3	16	24 1/2	RR		58200-93L50-000
		Stainless	3	16	26	RR		58200-93L60-000
		Stainless	3	16	27 1/2	RR		58200-93L70-000
		Stainless	3	16	17	CR		58200-93LE0-000
		Stainless	3	16	18 1/2	CR		58200-93LA0-000
		Stainless	3	16	20	CR		58200-93LB0-000
		Stainless	3	16	21 1/2	CR		58200-93LC0-000
		Stainless	3	16	23	CR		58200-93LD0-000
		Stainless	3	16	24 1/2	CR		58200-93LF0-000
		Stainless	3	16	26	CR		58200-93LG0-000
		Stainless	3	15 1/2	17	RR		58200-96J00-000
		Stainless	3	15 1/4	19	RR		58200-96J10-000
		Stainless	3	15	21	RR		58200-96J20-000
		Stainless	3	14 3/4	23	RR		58200-96J30-000
		Stainless	3	14 1/2	25	RR		58200-96J40-000
		Stainless	3	14 1/2	27	RR		58200-96J50-000
		Stainless	3	15 1/2	17	CR		58200-96JA0-000
		Stainless	3	15 1/4	19	CR		58200-96JB0-000
		Stainless	3	15	21	CR		58200-96JC0-000
		Stainless	3	14 3/4	23	CR		58200-96JD0-000
		Stainless	3	14 1/2	25	CR		58200-96JE0-000
		Stainless	3	14 1/2	27	CR		58200-96JF0-000
		Stainless	4	15 1/4	18	RR		58300-93J00-000
		Stainless	4	15 1/4	20	RR		58300-93J10-000
		Stainless	4	15 1/4	22	RR		58300-93J20-000
		Stainless	4	15 1/4	24	RR		58300-93J30-000
		Stainless	4	15 1/4	26	RR		58300-93J40-000
		Stainless	4	15 1/4	20	CR		58300-93JA0-000
		Stainless	4	15 1/4	22	CR		58300-93JB0-000
		Stainless	4	15 1/4	24	CR		58300-93JC0-000
		Stainless	4	15 1/4	26	CR		58300-93JD0-000

CARE & MAINTENANCE ITEM

ENGINE COVER



68110-89L00-000 131

Applicable Model DF8A-20A, DT9.9A-15A

68110-88L00-000 132

Applicable Model DF25/40A-60A, DT25/30

68110-87L00-000 133

Applicable Model DF70A-140A, DT40

68110-96J00-000 134

Applicable Model DF150T/Z-250T/Z

68110-98J00-000 135

Applicable Model DF250AP/300AP



990F0-88L00-010 136

Applicable Model DF40A/DF50A/DF60A with new 4stroke logo



990F0-87J00-010

Applicable Model DF40/50

990F0-99E00-010 137

Applicable Model DF60/70

990F0-87L00-010

Applicable Model DF70A/80A/90A

990F0-90J00-010

Applicable Model DF90/115

990F0-92J00-010

Applicable Model DF140

990F0-96J00-010

Applicable Model DF150/175

990F0-93J00-010

Applicable Model DF200/225/250

990F0-98J00-010

Applicable Model DF300

PAINT

99000-10202-0EP

Touch-up paint set black
12ml

997SO-41004-CLR 138

AE clear coat
400ml

997SO-41004-0EP 139

AE shadow black metallic
400ml

997SO-41004-0ED 140

AE california gray metallic
400ml



138

139

140

GREASE



99000-25011-000 141

SUPER GREASE-A
450 grams (15.8 oz) for Crank oil seal



99000-25350-000 142

WATER RESISTANT GREASE EP2
250 grams (8.8 oz)



99000-79N12-M07 143

SAE 90, API GL-5
Packaging unit 24 x 0.35 litre

LIQUID GASKET



99000-31140-THR 144

1207B (BLACK)
100 grams (3.4 oz)

FLUSH-HOSE ATTACHMENT



55181-95200-000 145

Applicable Model DF4-6/40A-60A,
DT25K/30/40W



17917-87L00-000 146

Applicable Model DF8A-300A

THREAD LOCK



99000-32130-000 147

1360 (RED)
50 grams (1.7 oz)

99000-32110-THR 148

1342 (BLUE)
50 grams (1.7 oz)

THREAD LOCK



99000-79N12-M08 149
"S" MARINE GEAR OIL SAE90
Packaging unit 12 x 1 litre

SUZUKI APPROVED GENUINE OIL by MOTUL

These products are supplied directly by MOTUL. Please note that these oils are not available in some countries. Please contact with local distributor of MOTUL.

Suzuki and MOTUL have been in partnership in MotoGP since 1988. Extending this trusted relationship led to the development of new Suzuki Marine Oils. These ranges of oils have excellent oxidation stability and provide outstanding rust protection under severe operating conditions.

API Classification	SAE Viscosity Grade
SG	10W-40
SH	10W-40
SL	10W-40
SJ	10W-40
SM	10W-40
	10W-30
TEMP. °C	-20 -10 0 10 20 30 40
°F	-4 14 32 50 68 86 104



99000-79N12-M01 152
SAE 10W-30 semi synthetic
4 x 5 litre FCW



99000-79N12-M04 153
SAE 10W-40 semi synthetic
4 x 5 litre FCW

990F0-79N12-M00
SAE 10W-30 semi synthetic
12 x 1 litre FCW

990F0-79N12-M03
SAE 10W-40 semi synthetic
12 x 1 litre FCW

99000-79N12-M02
SAE 10W-30 semi synthetic
60 litre FCW

99000-79N12-M05
SAE 10W-40 semi synthetic
60 litre FCW

99000-79N12-M09
SAE 10W-30 semi synthetic
208 litre FCW

99000-79N12-M10
SAE 10W-40 semi synthetic
208 litre FCW

HYDRAULIC FLUID



990F0-22541-001 150
Dexron III for all Suzuki 2 and 4 stroke
outboard powertrim/tilt systems
1 litre

INHIBITOR



997S0-KONS3-001 151
Multi-purpose fluid lubricant: unblocks,
lubricates and protects from corrosion
all metal parts by depositing a protec-
tive film.
400 ml

ALARM SYSTEM, COMPACT VERSION



990F0-ALARM-002 154
Applicable Models DF40 - DF140 from 2005-
FD250 from 2004-2012
DF200 from 2004-
DF150 - DF175 from 2006-
Easy to mount, Suzuki outboard engine
dedicated plug & play connection. The
various features of this waterproof
remote controlled alarm system include
e.g. system disarming by pin code,
remote control, optical and acoustical
signalization, engine stop function, cable
cutting protection, and many more.
Includes 1 micro magnetic contact.

MICRO MAGNETIC CONTACT FOR ALARM SYSTEM

990F0-ALARM-004
Additional waterproof micro magnetic
contact for alarm system 990F0-
ALARM-002. To be used e.g. for
dashboard driving console and
access point protection (sliding
doors, windows).

BATTERY CHARGER



990E0-OPTIM-CAR 155
OptiMate 6, versatile battery charger,
maintainer and tester. Recommended
for STS/AGM/MF/GEL and spiral cell
batteries from 15 Ah to 240 Ah.

APPLICATION CHART

ITEM	Page	DF300AP	DF250AP	DF250		DF225		DF200		DF200AP	DF200A	DF175A				DF150				DF140A		DF115A			DF100A	DF90A	DF80A	DF70A		DF60A							
		DF300AP	DF250AP	DF250ST	DF250T	DF250Z	DF225T	DF225Z	DF200T	DF200Z	DF200AP	DF200AT	DF200AZ	DF175TG	DF175ZG	DF175T	DF175Z	DF150AS	DF150TG	DF150ZG	DF150T	DF150Z	DF140AT	DF140AZ	DF115AS	DF115AT	DF115AZ	DF100AT	DF90AT	DF90ATH	DF80AT	DF70AT	DF70ATH	DF60AT	DF60ATH	DF60AQH	
NEW MULTI FUNCTION GAUGE	P.06	○	○	○	○	○	○	○	○	○	○	○	○	○	○	○	○	○	○	○	○	○	○	○	○	○	○	○	○	○	○	○	○	○	○	○	○
KEYLESS START SYSTEM	P.07									○																											
SUZUKI MODULAR INSTRUMENT SYSTEM	P.08-13	○	○	○	○	○	○	○	○	○	○	○	○	○	○	○	○	○	○	○	○	○	○	○	○	○	○	○	○	○	○	○	○	○	○	○	○
ANALOG INSTRUMENT	P.14-15			○	○	○	○	○	○																												
ELECTRONIC THROTTLE AND SHIFT SYSTEM	P.16-19																																				
ELECTRONIC REMOTE CONTROL KIT	P.16-17	○	○							○			○	○				○	○																		
ELECTRONIC REMOTE CONTROL BOX	P.16	○	○							○			○	○				○	○																		
BATTERY LEAD	P.19	○	○							○			○	○				○	○																		
MECHANICAL REMOTE CONTROL SYSTEM	P.20-23																																				
MECHANICAL REMOTE CONTROL KIT	P.20			○	○	○	○	○	○		○	○				○				○	○	○	○	○	○	○	○	○	○	○	○	○	○	○	○	○	○
MECHANICAL REMOTE CONTROL BOX	P.21			○	○	○	○	○	○		○	○				○				○	○	○	○	○	○	○	○	○	○	○	○	○	○	○	○	○	○
BATTERY LEAD	P.21			○	○	○	○	○	○		○	○				○				○	○	○	○	○	○	○	○	○	○	○	○	○	○	○	○	○	○
REMOTE-CONTROL CABLE	P.23			○	○	○	○	○	○		○	○				○				○	○	○	○	○	○	○	○	○	○	○	○	○	○	○	○	○	○
REMOTE-CONTROL ATTACHING KIT	P.23			○	○	○	○	○	○		○	○				○				○	○	○	○	○	○	○	○	○	○	○	○	○	○	○	○	○	○
STEERING	P.24-25																																				
TILLER HANDLE KIT	P.24																								○			○			○			○			
DUAL-ENGINE TIE-BAR	P.25			○	○	○	○	○	○	○	○	○	○	○	○	○	○	○	○	○	○	○	○	○	○	○	○	○	○	○	○	○	○	○	○	○	○
STEERING EXTENSION KIT	P.25			○	○	○	○	○	○	○	○	○	○	○	○	○	○	○	○	○	○	○	○	○	○	○	○	○	○	○	○	○	○	○	○	○	○
STEERING -BRACKET ATTACHMENT	P.25																											○				○			○		
DLUG-LINK KIT	P.25			○	○	○	○	○	○	○	○	○	○	○	○	○	○	○	○	○	○	○	○	○	○	○	○	○	○	○	○	○	○	○	○	○	○
ELECTRICAL PARTS	P.28																																				
COUNTER SELECT CONNECTOR	P.28	○	○							○																											
BATTERY ISOLATOR LEAD SET	P.28	○	○							○	○	○	○	○	○	○	○	○	○	○	○	○	○	○	○	○	○	○	○	○	○	○	○	○	○	○	○
ELECTRIC STARTER KIT (ONLY FOR MZ type)	P.28																																				
BATTERY CHARGING KIT (ONLY FOR MZ type)	P.28																																				
RECTIFIER SET (ONLY FOR MZ type)	P.28																																				
RECEPTACLE KIT (ONLY FOR MZ type)	P.28																																				
ANODE	P.29	○	○	○	○	○	○	○	○	○	○	○	○	○	○	○	○	○	○	○	○	○	○	○	○	○	○	○	○	○	○	○	○	○	○	○	○
FUEL SYSTEM	P.29-31	○	○	○	○	○	○	○	○	○	○	○	○	○	○	○	○	○	○	○	○	○	○	○	○	○	○	○	○	○	○	○	○	○	○	○	○

DF60AV	DF50A	DF50AV	DF40A	DF40AS	DF30A	DF25A	DF20A	DF15A	DF9.9B	DF9.9A	DF8A	DF6	DF5	DF4	DF2.5	DF2	DT40	DT30	DT25	DT15A	DT9.9A
DF60AV	DF50AT	DF50AV	DF40AT	DF40AST	DF30A	DF25A	DF20A	DF15A	DF9.9B	DF9.9A	DF8A	DF6	DF5	DF4	DF2.5	DF2	DT40W	DT30	DT25K	DT15AK	DT9.9AK
DF60AVTH	DF50ATH	DF50AVTH	DF40ATH	DF40AST	DF30ATH	DF25ATH	DF20ATH	DF15ATH	DF9.9BR	DF9.9AR	DF8AR	DF6	DF5	DF4	DF2.5	DF2	DT40WR	DT30R	DT25K	DT15AK	DT9.9AK
DF50AQH	DF50AQH	DF50AVQH	DF40AQH	DF40AST	DF30AQH	DF25AQH	DF20AQH	DF15AQH	DF9.9BT	DF9.9ATH	DF8AQH	DF6	DF5	DF4	DF2.5	DF2	DT40WK	DT30K	DT25K	DT15AK	DT9.9AK

CLOTHING AND MERCHANDISE

TEAM BLUE



990F0-BLBE2-000 001

TEAM BEANIE BLUE

Blue team beanie with soft fleece lining, outer material 100% acrylic, inner fleece lining 100% polyester.

ONE SIZE FITS ALL



990F0-BLMJ2-size 002

TEAM JACKET BLUE WATERPROOF

Blue waterproof and breathable membrane jacket, embroidered Suzuki logos front and rear, ventilation-zips, detachable hood, zip pockets, outer material soft-shell 96% polyester, 4% elastane, lining: mesh 100% polyester.

Size S/M/L/XL/XXL/3XL



990F0-BLRJ2-size 003

TEAM RAIN JACKET BLUE WATERPROOF (RAINBREAKER)

Blue lightweight waterproof rain jacket, small packaging, including pouch with straps integrated in reversible outer pocket, printed Suzuki Logos front and rear, 100% polyamide.

Size S/M/L/XL/XXL/3XL



990F0-BLQJ2-size 004

TEAM QUILTED JACKET BLUE

Functional quilted jacket, warm, lightweight and small packaging, printed Suzuki logos front and rear, zipped pockets, outer material 100% polyamide, inner lining 100% polyamide, padding 100% polyester.

Size XS/S/M/L/XL/XXL/3XL



990F0-BLHD2-size 005

TEAM HOODIE BLUE

Blue full-zip team hoodie with embroidered Suzuki logos on front and rear, drawstring hood, 2 outer pockets, 80% cotton, 20% polyester.

Size S/M/L/XL/XXL/3XL

TEAM BLACK



990F0-BKBE2-000 006

TEAM BEANIE BLACK

Black team beanie with soft fleece lining, outer material 100% acrylic, inner fleece lining 100% polyester.

ONE SIZE FITS ALL



990F0-BKMJ2-size 007

TEAM JACKET BLACK WATERPROOF

Black waterproof and breathable membrane jacket with red details, embroidered Suzuki logos front and rear, ventilation-zips, detachable hood, zip pockets, outer material 100% polyamide, 5% elastane, lining: mesh 100% polyester.

Size S/M/L/XL/XXL/3XL



990F0-BKRJ2-size 008

TEAM RAIN JACKET BLACK WATERPROOF (RAINBREAKER)

Black lightweight waterproof rain jacket, small packaging, including pouch with straps integrated in reversible outer pocket, printed Suzuki Logos front and rear, 100% polyamide.

Size S/M/L/XL/XXL/3XL



990F0-BKBW2-size 009

TEAM QUILTED BODYWARMER BLACK

Black bodywarmer with red details, printed Suzuki logos on front and rear, very lightweight and warm, small packaging volume, outer material 100% polyamide, inner lining 100% polyamide, padding 100% polyester.

Size XS/S/M/L/XL/XXL/3XL



990F0-BKSS2-size 010

TEAM SOFTSHELL JACKET BLACK

Black softshell jacket with red details, full-zip, 3 outer pockets, mesh lining, 96% polyester, 4% elastane.

Size XS/S/M/L/XL/XXL/3XL



MERCHANDISE



990F0-MBAC1-000 011

BACKPACK

Day pack, functional addition to touring luggage, multiple functional pockets, bottle holder, waist and chest belts, compatible for drinking systems, eyelet fitted pocket for mp3 player and phone, 600D polyester.

Size H48cm/W25cm/D15cm/C24 litres



990F0-DRYBP-000 013

SUZUKI DRY BACKPACK

Waterproof backpack, anthracite/black, integrated padded laptop sleeve (up to 17" devices), additional outer pocket, environment-friendly TPU fabric, reflective material.

Size H66cm/W35cm/D14cm/C20 litres



990F0-MMES1-000 015

LAPTOP BAG BY OGIO

Keeps your laptop safe with a plush lined notebook compartment. This Laptop bag has multiple pockets for extra storage. Comfortable strap and lightweight, to carry easily, nylon with water-resistant coating.

Size H29cm/W38cm/D5cm



990F0-MTRL1-000 012

SUZUKI TROLLEY BY OGIO

Durable and easy to handle, with wide mouth for easy access, adjustable dividers and padded helmet chamber, multi-use compartments, 600D polyester. 30-years manufacturer's warranty.

Size H86cm/W42cm/D39cm/C180 litres



990F0-DRYDB-001 014

SUZUKI DRY BAG

Dry bag made of welded tarpaulin, reflective details, additional shoulder belt included.

Size H30cm/W30cm/D55cm/C35 litres



990F0-MLAN1-000 016

LANYARD

Black fabric strap detailed with Suzuki logo and metal key ring.

CLOTHING AND MERCHANDISE

MERCHANDISE



990F0-MWAL1-000 017

WALLET

Black full-zip wallet with embroidered Suzuki logo on front. Nylon fabric with lining. Hook for key fixation and coin zipper pocket inside.

Size H15cm/W10.5cm/D2cm



990F0-MUMB1-000 020

UMBRELLA

Black with white Suzuki logo details, windproof with ergonomic EVA soft handle, comes in bag with shoulder strap, nylon with fiberglass spokes and metal shaft.

Size Diameter 130cm



990F0-MSUN1-000 022

SUNGLASSES

Stylish and lightweight, with 100% UVA and B protection, made from acrylic with embossed Suzuki logo. Comes with EVA case and microfiber pouch.



990F0-MKEY1-000 023

SUZUKI KEYRING BLACK

Black and white, PVC.



990F0-SMFK1-000 024

MARINE FLOATABLE KEY RING

Signal yellow floatable key ring, neoprene outer material, useful for max. 3 standard keys (max. 40 gr. total).



990F0-DRYHB-001 018

SUZUKI DRY HIPBAG

Waterproof hipbag made of welded tarpaulin, reflective details, adjustable waist belt.

Size C2.5 litres



990F0-MMUG1-000 019

SUZUKI MUG

Black and white design red Suzuki logo. Ceramic, suitable for microwave and dishwasher.



990F0-MWAT2-000 021

WATCH

Black stainless steel case. Date and time function, silicon strap, clock-face with carbon insets, mineral crystal watch glass, diameter 44mm, 5ATM water resistant. Comes with black gift box.

FASHION AND HERITAGE



990F0-FTS14-size 025

ENGINEERED4LIFE T-SHIRT GREY MELANGE

Grey melange version of the Engineered4Life triple - sewed in details and coloured print, 65% cotton, 35% polyester.

Size S/M/L/XL/XXL



990F0-FSL01-size 026

HAMAMATSU LADY SWEATER

Fashion sweater with red lining applications, white strings, red and white print, 80% cotton, 20% polyester.

Size XS/S/M/L/XL



990F0-FTS11-size 027

SPIRITED T-SHIRT BLACK

Black with green version of the Spirited triple, coloured print, 100% cotton.

Size S/M/L/XL/XXL

WORK



999LP-05401-size 028

WORKCOAT SHORT

Dark blue with white stripes and red piping. Turn down collar, velcro fastenings throughout and multifunctional pockets on chest and sleeves, with Suzuki detailing, 60% cotton, 40% polyester.

Size 044-106



999LP-05405-size 030

WORKCOAT

Dark blue with white stripes and red piping. High collar, velcro fastenings throughout and multifunctional pockets on chest and sleeves, with Suzuki detailing, 60% cotton, 40% polyester.

Size 044-062



990FO-BLA12-size 032

WORKSHOP T-SHIRT

Black, short sleeves and Suzuki logo, 65% polyester, 35% cotton.

Size S/M/L/XL/XXL



990FO-05407-size 034

WORKSHOP POLO SHIRT

Black lightweight wallet with embroidered Suzuki logo on front. Cordura fabric with nylon lining. Hook for key fixation and coin zipper pocket inside.

Size S/M/L/XL/XXL



990FO-05406-size 036

WORKSHOP POLO SHIRT

Dark blue, short sleeves and Suzuki logo, 100% cotton.

Size S/M/L/XL/XXL



999LP-05404-size 029

OVERALL

Dark blue with white stripes and red piping. High collar, knee patches and an adjustable elastic waistband for comfort. velcro fastenings throughout and multifunctional pockets on chest, sleeves and legs, with Suzuki detailing, 60% cotton, 40% polyester.

Size 044-106



999LP-05400-size 031

PIT DUNGAREES

Blue with red piping. Velcro fastenings throughout with multifunctional pockets. Stretch straps, knee patches, fly with zip fastener, adjustable elasticated waistband and woven Suzuki logo, 60% cotton, 40% polyester.

Size 044-106



999LP-05402-size 033

WORKSHOP TROUSERS

Dark blue with an elasticated back, knee patches, velcro fastenings throughout, multifunctional pockets on legs and woven Suzuki logo, 60% cotton, 40% polyester.

Size 044-106



990FO-GLOVE-size 035

WORKSHOP GLOVES PHYNOMIC WET

Robust and precise safety glove for general maintenance works, good dry and wet grip, water-repellent coating and liner, EN388 (4131) certification, made by UVEX SAFETY, 90% polyamide, 10% elastane.

Size 8(-008)/9(-009)/10(-010)



990FO-GLOV1-size 037

WORKSHOP GLOVES PHYNOMIC XS

Light safety glove for precision works, very breathable, excellent dexterity, aqua-polymer impregnation, EN 388 (3121) certification, made by UVEX SAFETY, 90% polyamide, 10% elastane.

Size 7(-007)/8(-008)/9(-009)/10(-010)



Way of Life!



AWARDS

Our outboards have received numerous awards for innovation.

This success recognises our vast experience in developing technology (for motorcycles, ATVs and automobiles, as well as outboards) and precise understanding of our customers' needs.

Real Suzuki is built by Genuine Suzuki Accessories and Parts

Every Suzuki Product is built with Suzuki Genuine Accessories and Parts. They have the optimal design and specification tailored for the specific product and model. Every part has passed Suzuki's rigorous test standards for performance, quality, durability, safety and comfort. We recommend that you choose Suzuki Genuine Accessories and Parts when you need to repair your Suzuki or replace consumable parts such as filters, belt, etc.

Each genuine Accessories and Parts is the perfect match for your Suzuki Product!



GET YOUR "SUZUKI COLLECTION" CATALOGUE NOW!

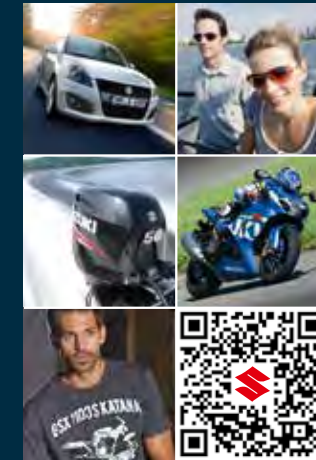
You want the perfect outfit for yourself and unique Suzuki merchandise? More you can find in the current Suzuki collection catalogue you can get from your Suzuki partner. Suzuki International Europe GMBH reserves the right to change, without notice, specifications, colours, materials and other items of clothing and merchandise products. Individual accessory items may be discontinued without notice. Product may vary from image shown. Please check with your local Suzuki Dealer for any such changes. Please confirm the full specification of your chosen accessory prior to purchase and fitment. Actual colours may differ slightly from the colours in this brochure. All details are correct at time of going to press.

Suzuki accessories are designed specifically for Suzuki vehicles and are subject to the same quality standards as the vehicles themselves. We would like to draw your specific attention to the fact that only Suzuki original accessories are tested and approved by Suzuki. The requirements they have to meet are set out in the relevant manuals. Under certain circumstances, the installation and/or usage of other accessory parts may therefore have a negative impact on the characteristics of your vehicle as set out in the design specifications, thereby impairing ride safety. Suzuki cannot, under any circumstances, be made liable for damage occurring from the use of any accessory that is not a Suzuki original accessory.

Subject to engineering and design modifications without prior notice. Please consult the current price list for details of accessory prices.

The details given in this brochure are non-binding and are purely for informational purposes. Errors excepted.

SUZUKI IS MORE THAN MARINE.



Automobile, motorbike and marine - 100 years of innovation. Visit our homepage via QR-code and learn more about Suzuki - way of life.

Suzuki International Europe GmbH,
Suzuki Allee 7, 64625 Bensheim

Details of many more original accessories and other extras can be found at: www.suzuki.eu

Your Suzuki partner: